

PH 5

PH 5 - 5741099838

The fixture provides 100% glare-free light. Its design is based on the principle of a reflective three-shade system, which directs majority of the light downwards. The fixture emits both downward and lateral light, thus illuminating itself.



Poul Henningsen

The very influential Danish designer, architect, writer, and cultural critic, Poul Henningsen (1894-1967), has had a huge impact on Danish thinking and design. His legacy is an integrated part of Louis Poulsen's endeavor to shape light.



Restaurant Madsen



Product info

Information

Colour of anti-glare disc: Classic, Monochrome Blue and Hues of Orange: Blue. Hues of Red and Hues of Rose: Green. Hues of Green and Hues of Blue: Red. Hues of Grey and Modern White: Rose. Monochrome Black: Black. Monochrome White: White. Copper version: Copper. Brass version: Brass. Colour of struts: Classic: Purple. Copper version, Brass version and Monochrome White: White. Monochrome Blue: Blue. Monochrome Black: Black. Modern White and Hues of colours: Bronze coloured. Cable and canopy: Monochrome Black: Black cable and canopy. All others: White cable and canopy. Please note that the copper and brass surface is untreated. This means that the surface will change over time and develop a patina. This process may have already begun when the product is delivered.

Mounting

Suspension type: Cable 2x1mm². Canopy: Yes. Cable length: 3m.

Finish

Classic (white) or Modern White: Matt powder coated. Monochrome Black, Monochrome Blue, Monochrome White, Hues of Blue, Hues of Green, Hues of Orange, Hues of Red, Hues of Rose: Matt wet painted. Metal versions: Polished brass or copper and white, matt powder coated. Please note that the copper and brass surface is untreated. This means that the surface will change over time and develop a patina.

Materials

Shades and anti-glare disc: Spun aluminium, spun copper or spun brass. Struts: rolled aluminium.

Sizes and weights

Width x Height x Length (mm) | 500 x 267 x 500 Max 3.5 kg

Class

Ingress protection IP20. Electric shock protection II w/o ground.

Specification notes

The innovation of light sources is ongoing. Consequently we only inform about the max. wattages. On www.louispuulsen.com we update a list of recommendable light sources.

Light source

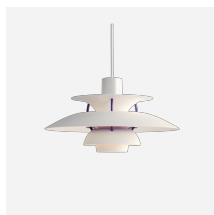
1x75W E27

Information

Colour of anti-glare disc: Classic, Monochrome Blue and Hues of Orange: Blue. Hues of Red and Hues of Rose: Green. Hues of Green and Hues of Blue: Red. Hues of Grey and Modern White: Rose. Monochrome Black: Black. Monochrome White: White. Copper version: Copper. Brass version: Brass. Colour of struts: Classic: Purple. Copper version, Brass version and Monochrome White: White. Monochrome Blue: Blue. Monochrome Black: Black. Modern White and Hues of colours: Bronze coloured. Cable and canopy: Monochrome Black: Black cable and canopy. All others: White cable and canopy. Please note that the copper and brass surface is untreated. This means that the surface will change over time and develop a patina. This process may have already begun when the product is delivered.



Product family



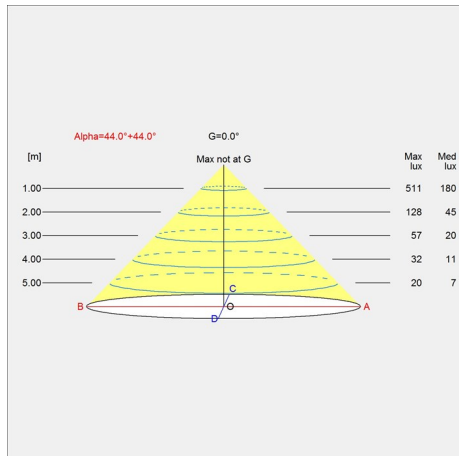
PH 5 Mini



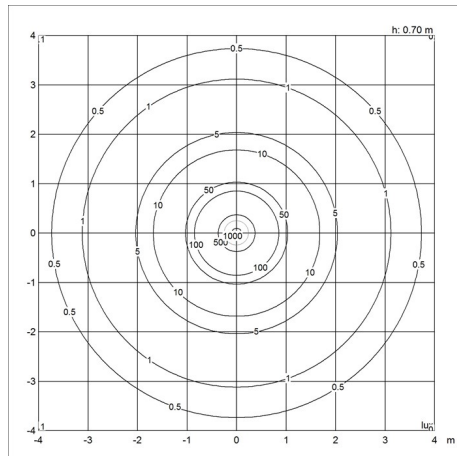
PH 5 Retake

Light distribution diagrams

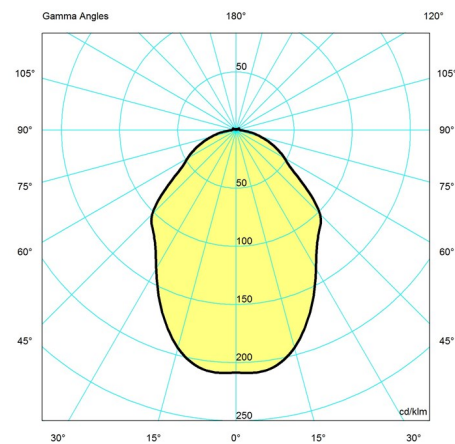
Cartesian



Isolux



Polar



Spare parts & accessories

Product	Variant number
Canopy White 2-part tophat ®	5749329034
Canopy Black 2-part tophat®	5749329021
PH 5 electrical assembly white f/old	5741086498
PH 5 PLUS/PH 50 glass disc	5741093300
Extension nipple f/stand. suspen	5741480670
PH 5 red/blue 100W inc bottom plate	5741481394
PH 5 (classic) spacers (1 SET)	5741093407
PH 5 spacers painted bronze (1 set)	5741100235
Relief nipple white	5741481268
PH 50 spacers (1 set)	5741100015
PH 5 (plus) white matt elec assemb	5741086443
PH 5 spacers painted white (1 set)	5741100248
PH 5 spacers monochrome white (1 set)	5741106093
PH 5 spacers monochrome blue (1 set)	5741106103
PH 5 spacers monochrome black (1 set)	5741106116

Data specifications

Colour Hues of green Length 500

Width	500
Built-in Height	-
Class	II
Standby (W)	-
Inrush Current	-
Kelvin	-
SDCM	-
Watt	-
Light control	-
UGR Transversal / Axial	13.9/13.9
Driver life	-

Height	267
IP class	20
Net Weight	2.1
Power Factor (P = 100 % / P = 50 %)	-
Light source	1x75W E27
CRI	-
Lumen	-
Efficacy	-
Min. Dim Level (%)	-
L80B50 (hours)	-