

PH 3/2 Table

PH 3/2 Table - 5744611213

The fixture is designed based on the principle of a reflective three-shade system, which directs the majority of the light downwards. The shades are made of mouth-blown opal three-layer glass, which is glossy on top and sandblasted matt on the underside, giving a soft and diffuse light distribution.



Poul Henningsen

Poul Henningsen was born in Copenhagen by the famous Danish writer Agnes Henningsen. He never graduated as an architect, but studied at The Technical School at Frederiksberg, Denmark from 1911-14, and then at Technical College in Copenhagen from 1914-17.



Chapung SeBali
Resort & Spa



American Heart Institute

Product info

Mounting

Cable type: Plastic cord with plug. Cable length: 2.1m. Light control: In-line switch on cord.

Finish

Brass metallised, black metallised or high lustre chrome plated. White opal glass.

Materials

Shades: Mouth-blown white opal glass. Top plate: Brass metallised, black metallised or high lustre chrome plated, spun brass. Base and stem: Brass metallised, black metallised or high lustre chrome plated, brass.

Sizes and weights

Width x Height x Length (mm) | 290 x 472 x 290 Max 2.9 kg

Class

Ingress protection IP20. Electric shock protection II w/o ground.

Specification notes

The innovation of light sources is ongoing. Consequently we only inform about the max. wattages. On www.louispoulsen.com we update a list of recommendable light sources.

Light source

1x40W E14



Product family



PH 3/2 Pendant



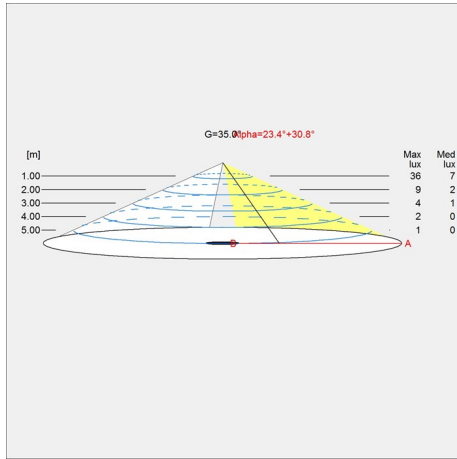
PH 3/2 Wall



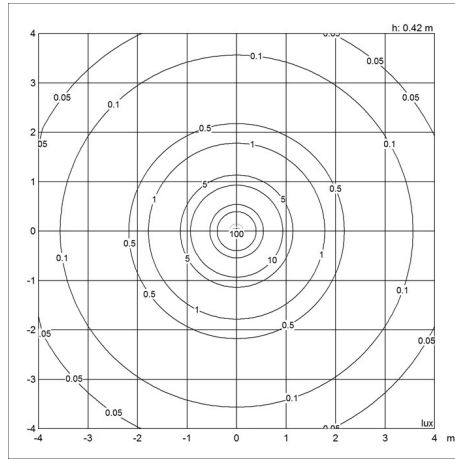
PH 3/2 Academy

Light distribution diagrams

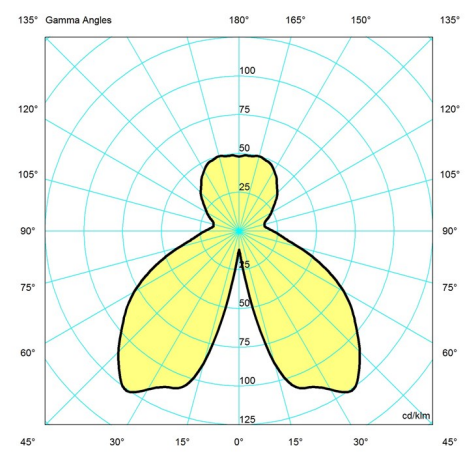
Cartesian



Isolux



Polar



Spare parts & accessories

Product	Variant number
FINGER SCREW SS M3X12 (3PCS) LOWER	5744610528
PH 3-2, MIDDLE SHADE, GLASS	5741481598
PH 3-2, LOWER SHADE, GLASS	5741481608
PH 3-2 TABLE/WALL, TOP SHADE, GLASS	5741481585
PH 3/2, TOP SHADE, AMBER GLASS, TABLE	5744162607
PH 3/2, MIDDLE SHADE, AMBER GLASS	5744162610
PH 3/2, LOWER SHADE, AMBER GLASS	5744162623
FINGER SCREW SS M2X8 (3PCS) MIDDLE	5744611116
FINGER SCREW BRASS RAW M2X8 (3PCS)MIDDLE	5744611271
FINGER SCREW BRASS RAW M3X12 (3PCS)LOWER	5744611284

Data specifications

Length	290	Width	290
Height	472	Built-in Height	-
IP class	20	Class	II
Net Weight	2.9	Min. Dim Level (%)	-

PH 3/2 Table

Standby (W)	-	Power Factor (P = 100 % / P = 50 %)	-
Inrush Current	-	Surge Protection. I _{max} IEC/EN61643-11, V IEC/EN61547	-
Light source	1x40W E14	Kelvin	-
CRI	-	SDCM	-
Lumen	-	Watt	-
Efficacy	-	UGR Transversal / Axial	18.1/18.1
L80B50 (hours)	-	L80B10 (hours)	-