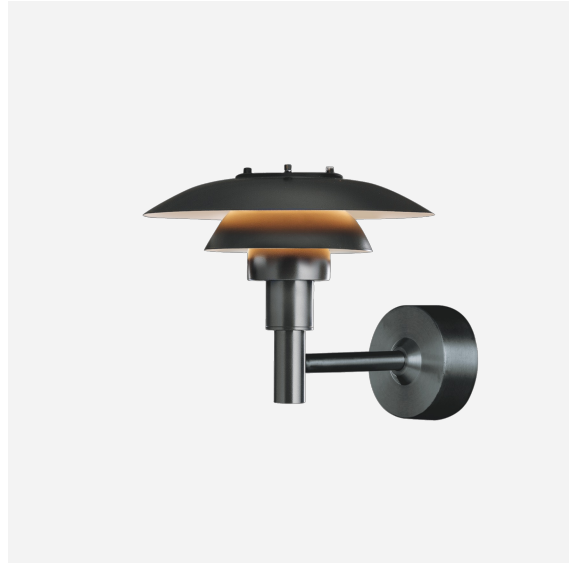


PH 3-2½ Wall

PH 3-2½ Wall - 5743145421

The fixture is designed based on the principle of a reflective three-shade system, which directs the light downwards. The shades have a matt white painted interior surface, diffusing the light in a comfortable way.



Poul Henningsen

The very influential Danish designer, architect, writer, and cultural critic, Poul Henningsen (1894-1967), has had a huge impact on Danish thinking and design. His legacy is an integrated part of Louis Poulsen's endeavor to shape light.



Product info

Mounting

Terminal block: 1x3x2.5mm². Cable entries: 2x bottom + 3x rear entries for Ø 10-14.5mm cable. Looping: Approved, max. 3x1,5mm².

Finish

Black, powder coated.

Materials

Top shade: Spun stainless steel. Middle/lower shade: Spun stainless steel. Shadeholder: Form pressed glass. Wall box: Die cast aluminium. Wall box cover: Spun aluminium. Arm: Stainless steel.

Sizes and weights

Width x Height x Length (mm) | 283 x 239 x 336 Max 2.4 kg

Class

Ingress protection IP44. Electric shock protection I w. ground.

Specification notes

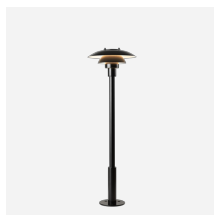
The innovation of light sources is ongoing. Consequently we only inform about the max. wattages. On www.louispoulsen.com we update a list of recommendable light sources.

Light source

1x60W E27



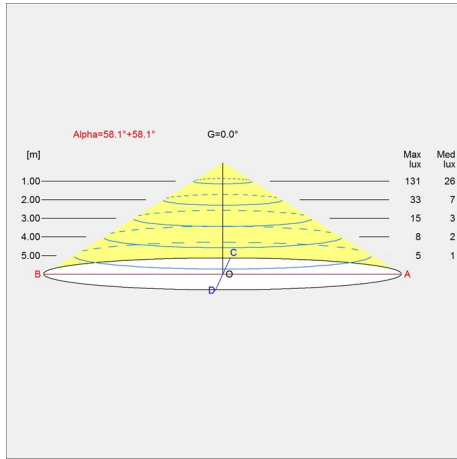
Product family



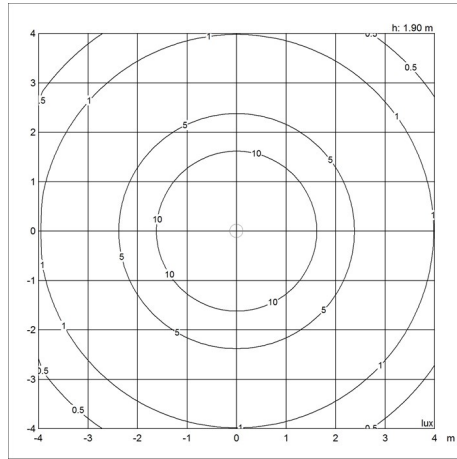
PH 3-2½ Bollard

Light distribution diagrams

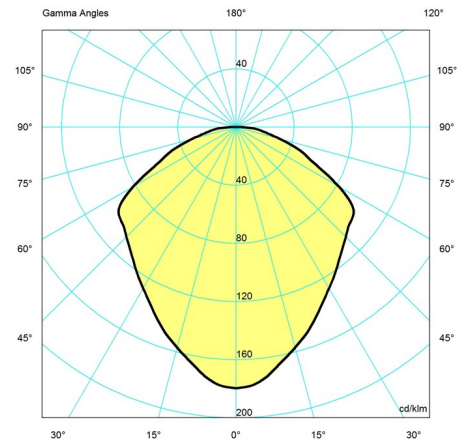
Cartesian



Isolux



Polar



Spare parts & accessories

Product

PH 3-2½ Bollard/Wal top screws 3 pcs black
 PH 3-2½ Bollard/Wal glass
 ANTI-THEFT SCREWS 3 PCS M4X25, ST. STEEL

Variant number

5747293405
 5747293418
 5743145405

Data specifications

Colour	Black	Length	336
Width	283	Height	239
IP class	44	IK class	-
Class	I	Net Weight	2.4
Wind Load (m2)	-	Standby (W)	-
Power Factor (P = 100 % / P = 50 %)	-	Inrush Current	-
Light source	1x60W E27	Kelvin	-

PH 3-2½ Wall

CRI	-
Lumen	-
Efficacy	-
Min. Dim Level (%)	-
BUG Rating	B0 U0 G0
Driver life	-

SDCM	-
Watt	-
Light control	-
Surge Protection	-
L80B50 (hours)	-