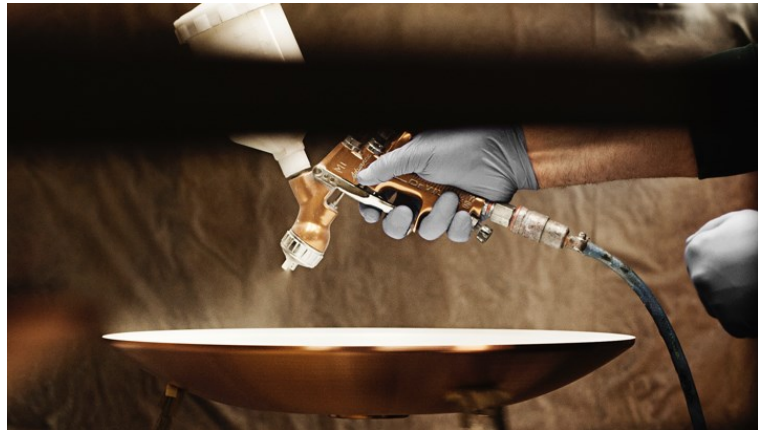


PH 3-2½ Bollard

PH 3-2½ Bollard - 5747293447

The fixture is designed based on the principle of a reflective three-shade system, which directs the light downwards. The shades have a matt white painted interior surface, diffusing the light in a comfortable way.



Product info

Information

Earth anchor to be ordered separately. Anchor bolts to be sourced locally.

Mounting

Terminal block: 1x5x2.5mm². Terminal block positioning: In post. Cable entries: 2x bottom entries Ø 17mm.
Looping: Approved, max. 5x2,5mm². Post w/base plate for surface mounting: H: 909mm incl. fixture head. Post dia. 32mm.

Finish

Black, powder coated.

Materials

Top shade: Spun stainless steel. Middle/lower shade: Spun stainless steel. Shadeholder: Form pressed glass.
Post: Stainless steel.

Sizes and weights

Width x Height x Length (mm) | 283 x 909 x 283 Max 3.7 kg

Class

Ingress protection IP44. Electric shock protection I w. ground.

Specification notes

The innovation of light sources is ongoing. Consequently we only inform about the max. wattages. On www.louispoulsen.com we update a list of recommendable light sources.

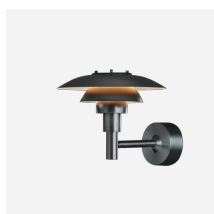
Light source

1x60W E27

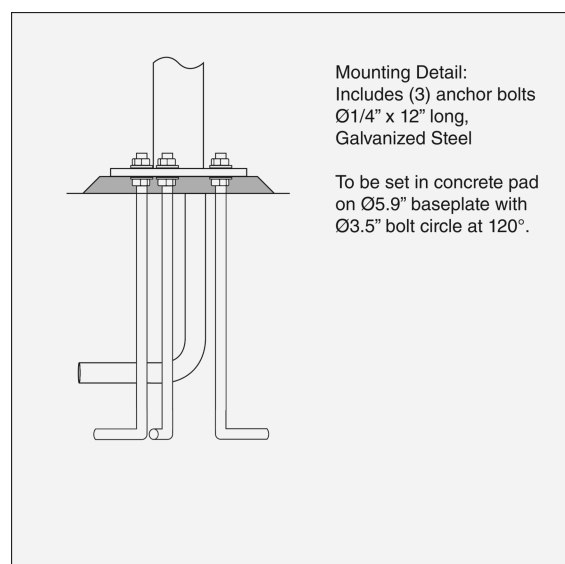
Information

Earth anchor to be ordered separately. Anchor bolts to be sourced locally.

Product family

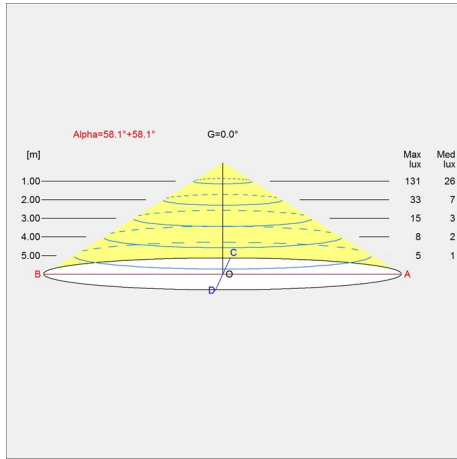


PH 3-2½ Wall

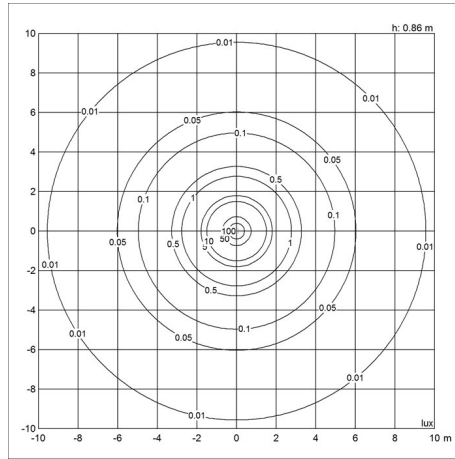


Light distribution diagrams

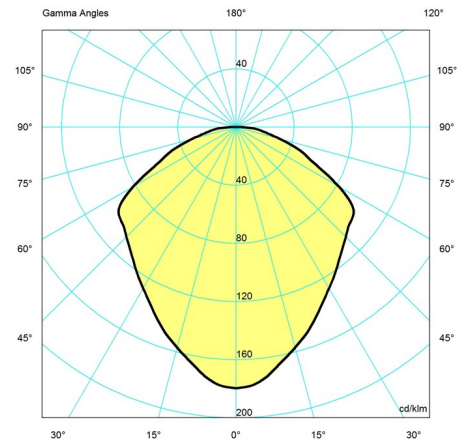
Cartesian



Isolux



Polar



Spare parts & accessories

Product

- PH 3-2½ Bollard/Wal top screws 3 pcs black
- PH 3-2½ Bollard/Wal glass
- PH3-2½ BOL./TOLDBOD BOLEARTH ANCHOR NEW

Variant number

- 5747293405
- 5747293418
- 5747293696

Data specifications

Colour	Black	Length	283
Width	283	Height	909
IP class	44	IK class	-
Class	I	Net Weight	3.7
Wind Load (m2)	-	Standby (W)	-
Power Factor (P = 100 % / P = 50 %)	-	Inrush Current	-
Light source	1x60W E27	Kelvin	-

PH 3-2½ Bollard

CRI	-
Lumen	-
Efficacy	-
Min. Dim Level (%)	-
BUG Rating	B0 U0 G0
Driver life	-

SDCM	-
Watt	-
Light control	-
Surge Protection	-
L80B50 (hours)	-