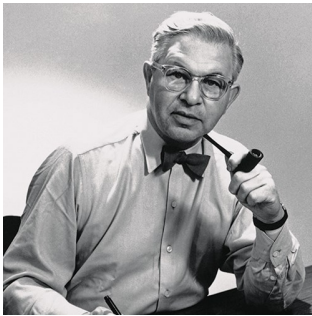


# AJ Floor

AJ Floor - 5744165507

The fixture emits downward directed light. The angle of the shade can be adjusted to optimize light distribution. The shade is painted white on the inside to ensure a soft comfortable light.



## Arne Jacobsen

Arne Jacobsen was born and raised in Copenhagen. In 1927, he graduated as an architect from the Royal Danish Academy of Fine Arts in Copenhagen. After graduating, he obtained his first job at the office of the City Architect of Copenhagen launching his own office only two years later.



## Carl Hansen & Son Showroom



## Sparekassen Vendsyssel

## Product info

### Mounting

Cable type: Plastic cord with plug. Cable length: 2.4m. Light control: On/Off switch on cord.

### Finish

Stainless Steel, polished. White, Black, Aubergine, Dark Green, Dark Grey, Light Grey, Midnight Blue, Original Grey, Pale Petroleum, Pale Rose, Rusty Red, Ultra Blue, Yellow Ochre, wet painted.

### Materials

Shade: Spun steel or stainless steel. Base: Die cast zinc or stainless steel. Stem: Steel or stainless steel.

### Class

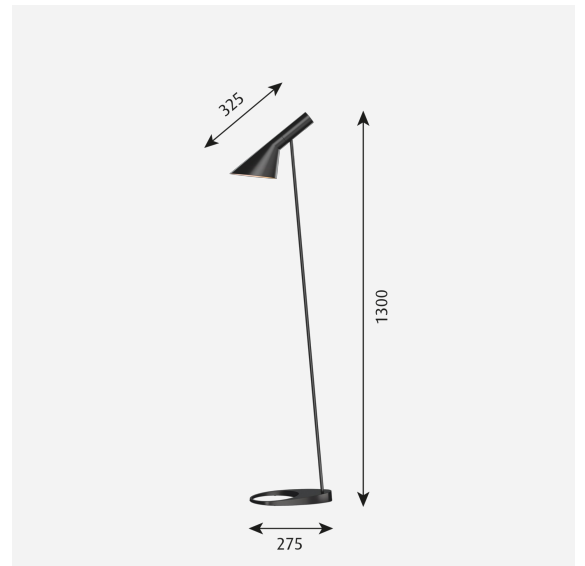
Ingress protection IP20. Electric shock protection II w/o ground.

### Light source

1x20W E27

### Information

The white, original grey and pale rose versions are supplied with a white cable. The other versions are supplied with a black cable.



## Product family



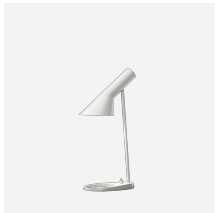
AJ Table



AJ Wall



AJ 50 Wall



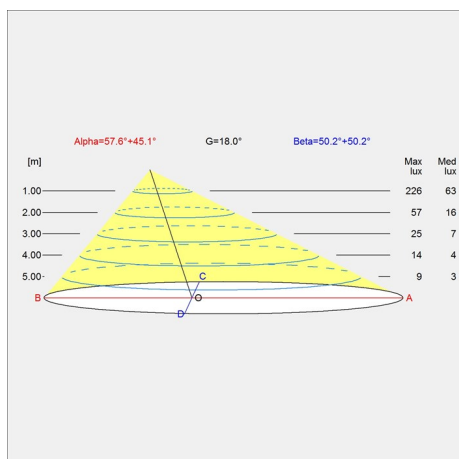
AJ Mini Table



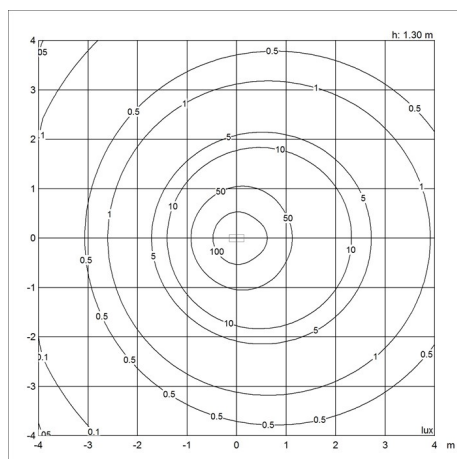
AJ Royal

# Light distribution diagrams

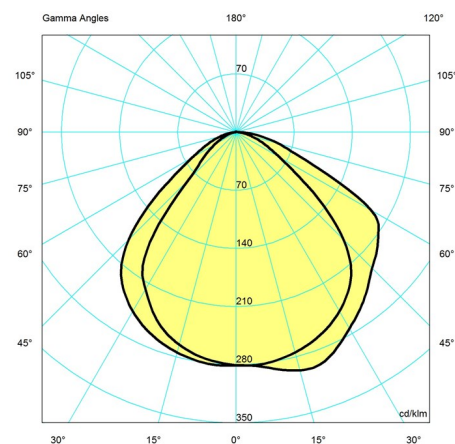
Cartesian



Isolux



Polar



## Spare parts & accessories

Product	Variant number
FOOT SWITCH, ON/OFF, BLACK	571700000
FOOT SWITCH, ON/OFF, WHITE	571700013

## Data specifications

Length	-	Width	275
Height	1300	Built-in Height	-
IP class	20	Class	II
Net Weight	3.4	Min. Dim Level (%)	-
Standby (W)	-	Power Factor (P = 100 % / P = 50 %)	-
Inrush Current	-	Surge Protection. I <sub>max</sub> IEC/EN61643-11, V IEC/EN61547	-
Light source	1x20W E27	Kelvin	-
CRI	-	SDCM	-

**AJ Floor**

Lumen	-	Watt	-
<hr/>		<hr/>	
Efficacy	-	UGR Transversal / Axial	<b>21.9/16.4</b>
<hr/>		<hr/>	
L80B50 (hours)	-	L80B10 (hours)	-
<hr/>		<hr/>	