

# VL38 FLOOR

The fixture emits downward directed light. The angle of the shade can be adjusted to optimize light distribution. The shade is painted white on the inside to ensure a soft comfortable light.



## Vilhelm Lauritzen

Vilhelm Lauritzen (1894–1984) is one of the most significant architects in the history of Denmark; he was the trail-blazing figurehead of Danish functionalism. A number of his buildings – Nørrebro Theatre (1931–32), Daells Varehus department store (1928–35), Radiohuset (1936–41) and the first airport built in Kastrup (1937–39) – represented the concentrated essence of contemporary life.



## Product info

### Information

Please note that the brass surfaces are untreated. This means that the surface will change over time and develop a patina. Function to set a fixed light level each time the lamp is connected to main power. LED driver fitted externally on cord. Two light levels 50% or 100%. Timer function to automatically turn off the light after amount of time, selectable between off/4 hours/8 hours. Adjustable (up and down) lamp shade. This product is fitted with an integrated energy-saving LED light source. Should you wish to replace it, please contact Louis Poulsen so we can help you purchase the correct LED Replacement Kit. Please note that LED-replacement should always be carried out by an authorised electrician.

### Mounting

Cable type: Plastic cord. Cable length: 4m. Light control: In-line switch on cord. 2 light levels. Timer function: 4 hours/8 hours. LED driver: separate, plugs into power outlet.

### Finish

Brushed brass. Black or White, powder coated.

### Materials

Base: Die cast aluminium. Shade: Spun aluminium. Stem: Brushed brass.

### Sizes and weights

Width x Height x Length (mm) | 135 x 1200 x 250 Max 4.2 kg

### Class

Ingress protection IP20. Electric shock protection II w/o ground.

### Light source

LED 2700K 9.6W

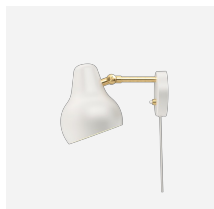
Lumen: 416

### Information

Please note that the brass surfaces are untreated. This means that the surface will change over time and develop a patina. Function to set a fixed light level each time the lamp is connected to main power. LED driver fitted externally on cord. Two light levels 50% or 100%. Timer function to automatically turn off the light after amount of time, selectable between off/4 hours/8 hours. Adjustable (up and down) lamp shade. This product is fitted with an integrated energy-saving LED light source. Should you wish to replace it, please contact Louis Poulsen so we can help you purchase the correct LED Replacement Kit. Please note that LED-replacement should always be carried out by an authorised electrician.



## Related products



VL38 Wall



VL38 Table

## Product variants

### Colour

Black

White

### Light source

LED 2700K 9.6W

# Design

Vilhelm Lauritzen

# Weight

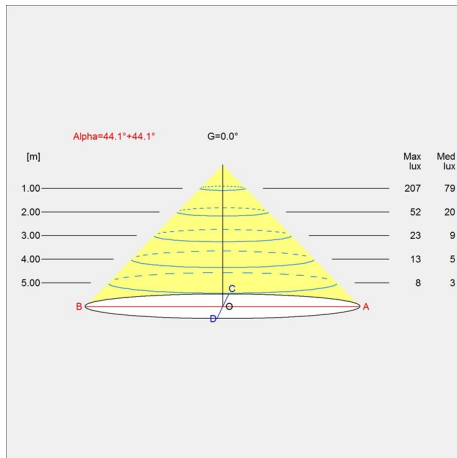
Min: 4.2 kg Max: 4.2 kg

# Finish

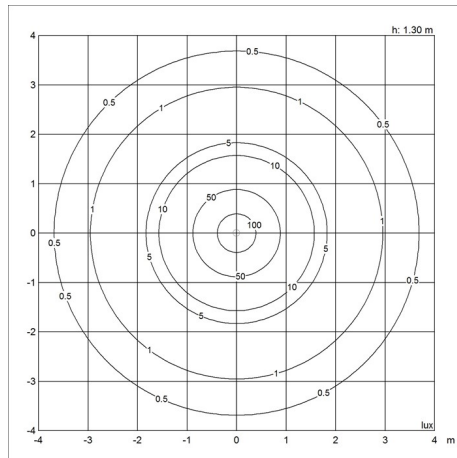
Black, White

# Light distribution diagrams

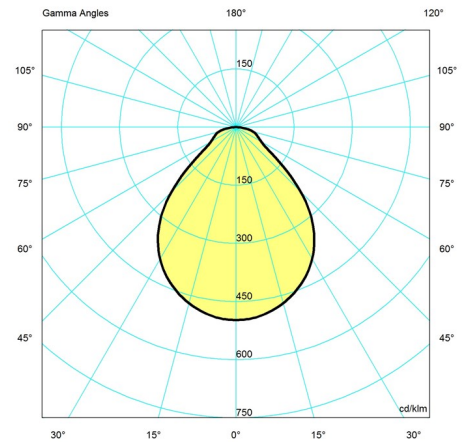
Cartesian



Isolux



Polar



# Spare parts & accessories

**Product**

- Adaptor 12V black
- Adaptor 12V white

**Variant number**

- 5744164867
- 5744164870