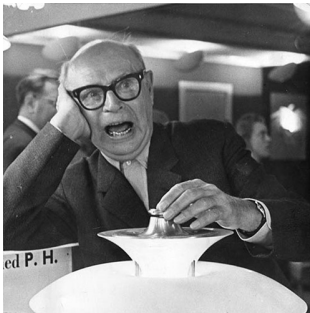


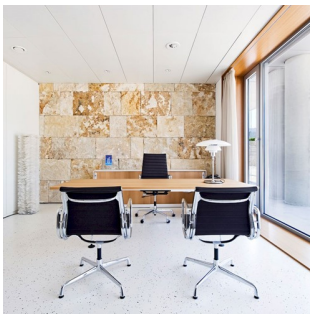
# PH 4<sup>1</sup>/<sub>2</sub>-3<sup>1</sup>/<sub>2</sub> GLASS TABLE

The fixture is designed based on the principle of a reflective three-shade system, which directs the majority of the light downwards. The shades are made of mouth-blown opal three-layer glass, which is glossy on top and sandblasted matt on the underside, giving a soft and diffused light distribution.



## Poul Henningsen

Poul Henningsen was born in Copenhagen by the famous Danish writer Agnes Henningsen. He never graduated as an architect, but studied at The Technical School at Frederiksberg, Denmark from 1911-14, and then at Technical College in Copenhagen from 1914-17.



## American Heart Institute



## Sydbank

## Product info

### Mounting

Cable type: Plastic cord with plug. Cable length: 2.7m. Light control: Switch in lamp stand.

### Finish

High lustre chrome plated. White opal glass.

### Materials

Shades: Mouth-blown white opal glass. Anti glare ring: Purple, spun aluminium. Top plate: High lustre chrome plated, spun brass. Base: High lustre chrome plated, spun brass. Stem: High lustre chrome plated, steel.

### Sizes and weights

Width x Height x Length (mm) | 450 x 550 x 450 Max 9.3 kg

### Class

Ingress protection IP20. Electric shock protection II w/o ground.

### Specification notes

The innovation of light sources is ongoing. Consequently we only inform about the max. wattages. On [www.louispoulsen.com](http://www.louispoulsen.com) we update a list of recommendable light sources.

### Light source

1x100W E27



## Related products



PH 4½-3½ Glass Floor



PH 4½-4 Glass Pendant

## Product variants

### Light source

1x100W E27

# Product description

Portable fixture.

Terse and iconic design.

The size of the three shades is adjusted for optimum performance and comfort.

Interior surfaces of glass shades sandblasted to diffuse light.

Member of a family products of various sizes and type.

---

## Mounting

Portable fixture plugs into standard wall outlet.

---

## Light description

The fixture emits glare free, comfortable light.

---

## Design

Poul Henningsen

---

## Material

Shades: mouth blown white glass, 1.5mm (0.06") thick.

Struts: chrome plated steel.

Interior reflectors: spun aluminum, lilac powder coated.

Base: steel with chrome-plated brass cover.

Stem: extruded steel, chrome plated, 1.5mm (0.06") thick.

Switch: on/off, phenolic, on base.

Socket: Porcelain, medium base for A-19, frosted envelope lamps.

---

## Weight

9.257

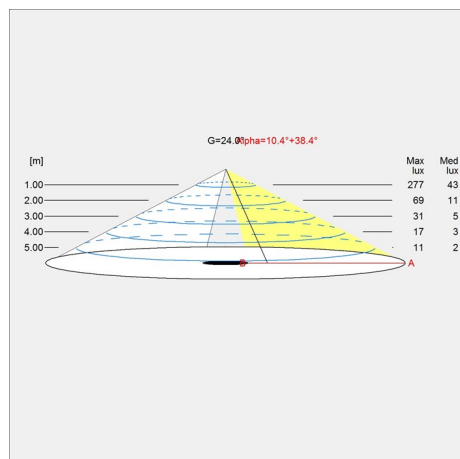
---

## Finish

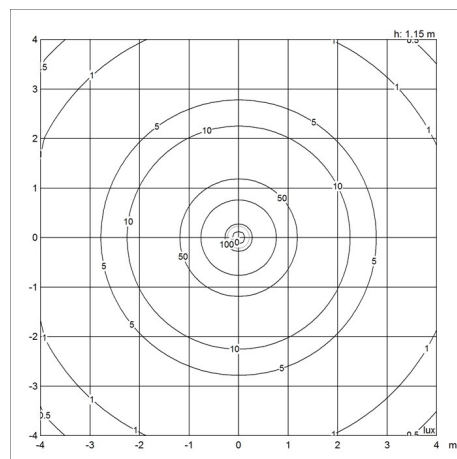
High lustre chrome plated

# Light distribution diagrams

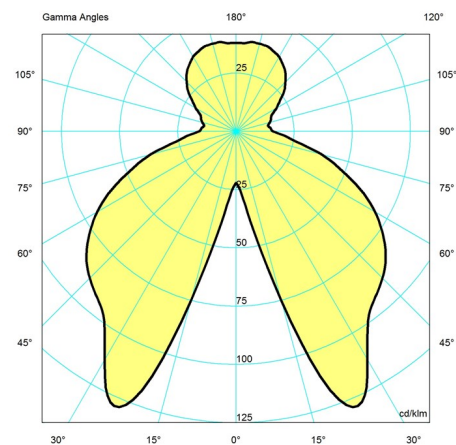
## Cartesian



## Isolux



## Polar



## Spare parts & accessories

Product	Variant number
Finger screw SS M3X12 (3pcs) lower	5744610528
PH 4½-3½ Opal glass middle shade	5744610612
PH 4½-3½ Opal glass lower shade	5744610625
PH 4½-3½ Opal glass top shade	5744610722
Finger screw SS M3X16 (3pcs) middle	5744610845