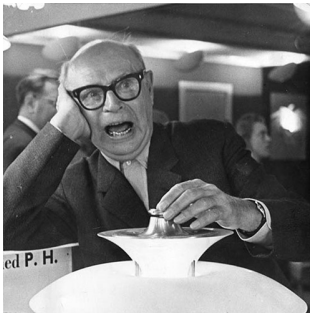


PH 3/2 ACADEMY

The three lights on the fixture are designed based on the principle of a reflective threeshade system which directs the majority of the light downwards. The shades are made of mouth-blown opal three-layer glass, which is glossy on the top and sandblasted matt on the inside, giving a soft and diffused light distribution.



Poul Henningsen

Poul Henningsen was born in Copenhagen by the famous Danish writer Agnes Henningsen. He never graduated as an architect, but studied at The Technical School at Frederiksberg, Denmark from 1911-14, and then at Technical College in Copenhagen from 1914-17.



Vinbrasserie Bistron KBH

Product info

Mounting

Suspension type: Cable 2x0,75mm². Canopy: Yes. Cable length: 4m.

Finish

High lustre chrome plated. White opal glass.

Materials

Shades: Mouth-blown white opal glass. Frame: High lustre chrome plated, extruded brass. Suspension: High lustre chrome plated, extruded brass.

Sizes and weights

Width x Height x Length (mm) | 680 x 345 x 680 Max 6.4 kg

Class

Ingress protection IP20. Electric shock protection II w/o ground.

Specification notes

The innovation of light sources is ongoing. Consequently we only inform about the max. wattages. On www.louispoulsen.com we update a list of recommendable light sources.

Light source

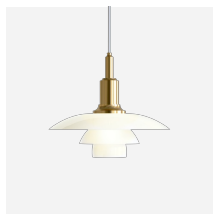
3x40W E14



Related products



PH 3/2 Table



PH 3/2 Pendant



PH 3/2 Wall

Product variants

Light source

3x40W E14

Design

Poul Henningsen

Weight

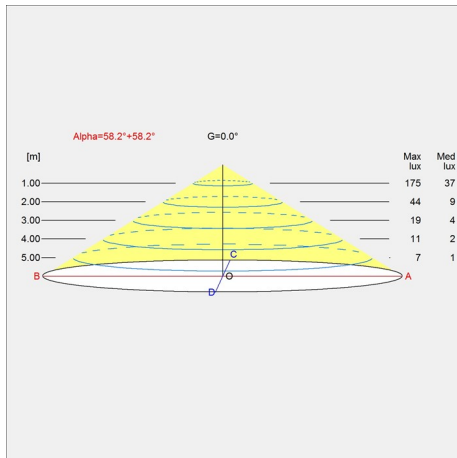
6.427

Finish

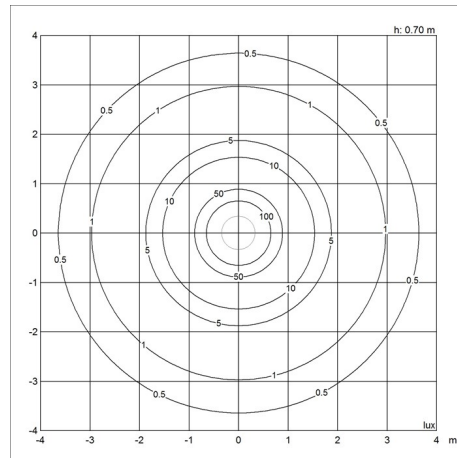
High lustre chrome plated

Light distribution diagrams

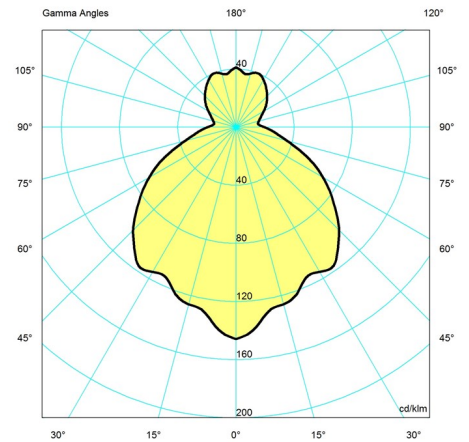
Cartesian



Isolux



Polar



Spare parts & accessories

Product

- PH 3/2 Opal glass middle shade
- PH 3/2 Opal glass lower shade
- PH 3/2 Opal glass top shade
- PH Academy Polished Chrome canopy

Variant number

- 5741481598
- 5741481608
- 5741481682
- 5741481734

