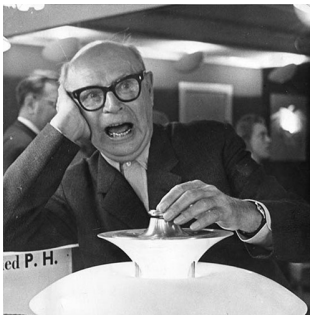


# PH 2/1 TABLE

The fixture provides soft lighting. PH 2/1 is designed on the principle of a reflecting multi-shade system, creating harmonious and glare-free lighting. The shade design is based on a logarithmic spiral, with the centre of the light source placed in the spiral's focal point.



## Poul Henningsen

Poul Henningsen was born in Copenhagen by the famous Danish writer Agnes Henningsen. He never graduated as an architect, but studied at The Technical School at Frederiksberg, Denmark from 1911-14, and then at Technical College in Copenhagen from 1914-17.



Private residence, Sipoo



Vinbar Ved Stranden

## Product info

### Mounting

Cable type: Vinyl cord with plug. Cable length: 1,75m. Light control: In-line switch on cord.

### Finish

Brass metallised, black metallised or high lustre chrome plated. White opal glass.

### Materials

Shades: Mouth-blown white opal glass. Top plate: Brass metallised, black metallised or high lustre chrome plated, machined brass. Base and stem: Brass metallised, black metallised or high lustre chrome plated, brass.

### Sizes and weights

Width x Height x Length (mm) | 200 x 355 x 200 Max 1.5 kg

### Class

Ingress protection IP20. Electric shock protection II w/o ground.

### Light source

1x33W G9



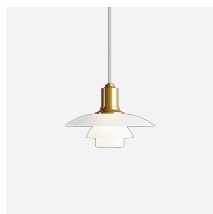
## Related products



PH 2/1 Wall



PH 2/1 Stem Fitting



PH 2/1 Pendant

## Product variants

Colour	Cable type	Light source
● Black metallised	Black cord	1x33W G9
● Brass metallised	White cord	
● High lustre chrome plated		

# Design

Poul Henningsen

# Weight

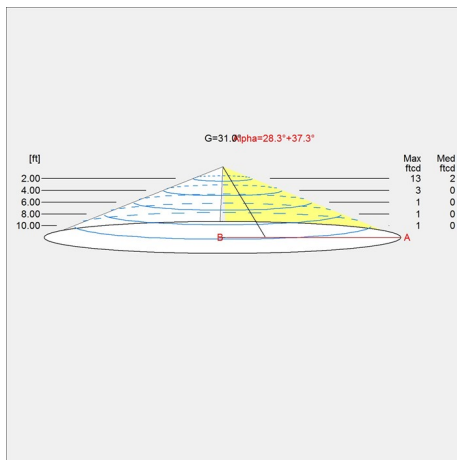
Min: 1.476 kg Max: 1.477 kg

# Finish

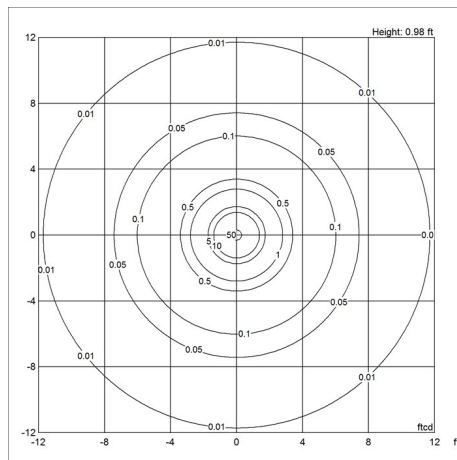
Black metallised, Brass metallised, High lustre chrome plated

# Light distribution diagrams

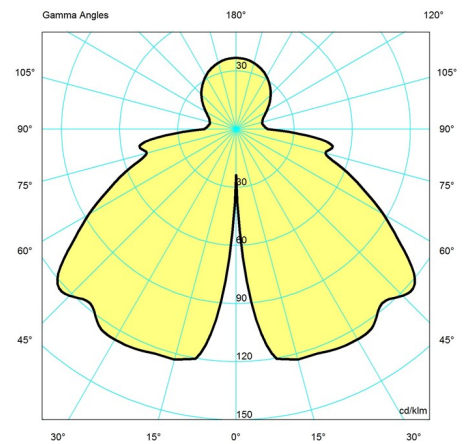
## Cartesian



## Isolux



## Polar



# Spare parts & accessories

## PH 2/1 Table

Product	Variant number
PH 2/1 Opal glass middle shade	5741084940
PH 2/1 Opal glass lower shade	5741084953
PH 2/1 Opal glass top shade	5741084937
PH 2/1 Table glass diffuser	5744164317
PH 2/1 Table, Chrome plated shadeholder	5744164320
PH 2/1 Table, Black metallised shadeholder	5744164333
PH 2/1 Table, Brass metallised shadeholder	5744164362
PH 2/1 Amber glass lower shade	5744169396
PH 2/1 Amber glass middle shade	5744169406
PH 2/1 Amber glass top shade	5744169419