

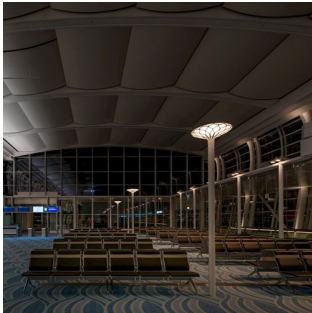
LP NEST

The fixture emits an indirect, soft and symmetrical light.
Reflections in the "lattice" create an attractive play of
light within the fixture.



Bystrup Arkitekter & Designere

The company was established in 1994 by Erik Bystrup. Erik Bystrup completed his architectural studies in 1968 and worked for Krohn & Hartvig Rasmussen and with Johann Otto von Spreckelsen, among others, before starting his own studio.



Tokyo
International
Airport,
International
Passenger
Terminal



Jels Søbad

Product info

Environmental Product Specification

This product is compliant with the requirements contained in the European Directives, RoHS Directive 2011/65 and 2015/863. This product is designed so that 100% of the product can be disassembled and reused.

Information

Poles must be ordered separately. Mounting for pole Ø 115. For LED replacement kit please do contact Louis Poulsen. Dimming options CLO, and night time dimming (default setting: 50% power in 8 hours). All variants available with Zhaga socket for Smart City compatibility. Including CLO and night time dimming options. Driver: Location in the post top. Please contact Louis Poulsen for 2700K and more info about supported Light Management Systems.

Mounting

Pole dimension: Ø 115mm Installation cable: 5m, 5x1mm² (Class I) or 5m, 4x1mm² (Class II). Driver: Location in the post top.

Finish

Aluminium coloured with textured surface or graphite with textured surface, powder coated.

Materials

Frame/Louvre: High pressure moulded aluminium. Top shade: Spun aluminium. Reflector: Anodised aluminium. Enclosure: Clear glass.

Sizes and weights

Width x Height x Length (mm) | 750 x 330 x 750 Max 12.1 kg

Class

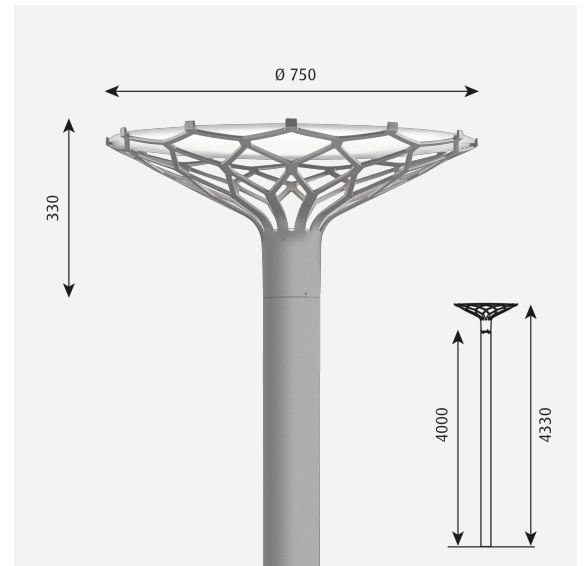
Ingress protection IP66. Electric shock protection I w. ground, II w/o ground. IK09.

Light source

LED 3000K 34W
Lumen: 2842

Information

Poles must be ordered separately. Mounting for pole Ø 115. For LED replacement kit please do contact Louis Poulsen. Dimming options CLO, and night time dimming (default setting: 50% power in 8 hours). All variants available with Zhaga socket for Smart City compatibility. Including CLO and night time dimming options. Driver: Location in the post top. Please contact Louis Poulsen for 2700K and more info about supported Light Management Systems.



Product variants

Colour	Light source	Lumen	Class	Lighting control
● Aluminium colour texture	LED 3000K 34W	2607	I	Dac: dali + clo
● Graphite grey texture	LED 4000K 34W	2674	II	Dpc: nightdim + clo
		2842		Sr 2xzhaga ct
		2915		

Design

Bystrup Architects

Weight

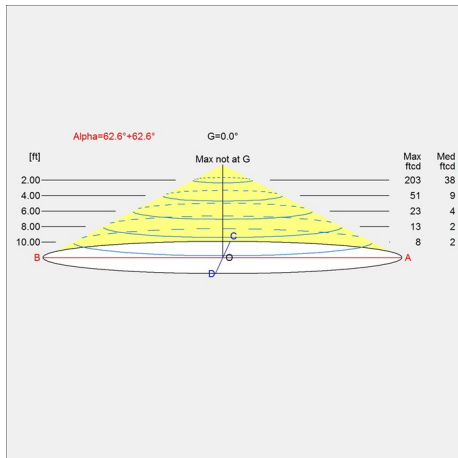
Min: 10.346 kg Max: 12.095 kg

Finish

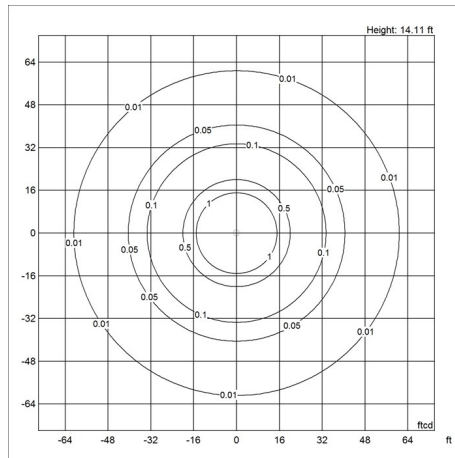
Aluminium colour texture, Graphite grey texture

Light distribution diagrams

Cartesian



Isolux



Polar

