

KEGLEN WALL

The wall lamp's distinctive conical shade has a built-in curved diffuser. This ensures an attractive and glare-free light. A gentle light is also emitted upward through a discreet uniform opening in the top of the shade to create a perfect ambiance. The fixture can be mounted facing downward to direct the light to a specific spot, or upward for indirect light.



Jakob Lange - BIG Ideas

BIG Ideas, BIG's technology-driven specialist product division, is managed by architect Jakob Lange and produces the practice's lamps and other types of digital projects that underpin BIG's designs, buildings and ideas.



Product info

Information

Mounting with cord and plug or for hardwiring. With programming by the customer, there is a possibility to disable the switch. An integrated memory function ensures that the lamp will return to its latest adjusted lumen output when power has been removed and restored. Head can rotate +/- 45° sideways. This product is fitted with an integrated energy-saving LED light source. Should you wish to replace it, please contact Louis Poulsen so we can help you purchase the correct LED Replacement Kit. Please note that LED-replacement should always be carried out by an authorised electrician.

Mounting

Cord type: Plastic. Cord length: 2.4 m. Switch: On the wall box. Stepless dimming. Adapter: Integrated into the wall box. Mounting with cord and plug or for hardwiring. Possibility to disable the on/off switch. Head can rotate +/- 45° sideways.

Finish

Black or white, matt, wet-painted.

Materials

Shade: Spun aluminum. Diffuser: Injection-molded PC. Wall box: Die cast aluminum.

Sizes and weights

Width x Height x Length (mm) | 176 x 142 x 188 Max 1.0 kg

Class

Ingress protection IP20. Class II.

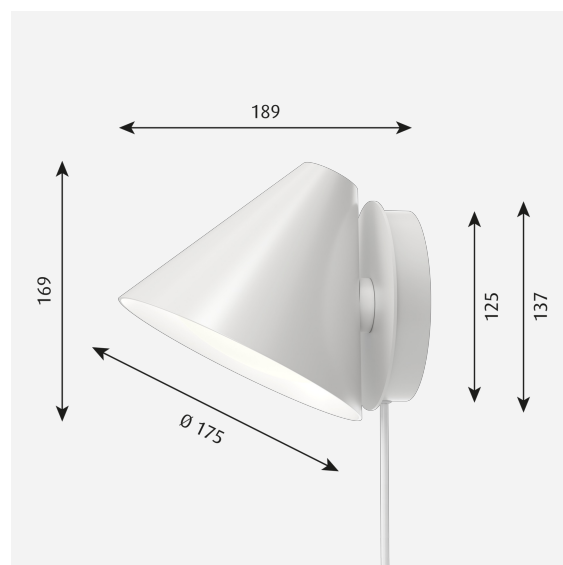
Light source

LED 2700-2000K D2W 8.5W

Lumen: 338

Information

Mounting with cord and plug or for hardwiring. With programming by the customer, there is a possibility to disable the switch. An integrated memory function ensures that the lamp will return to its latest adjusted lumen output when power has been removed and restored. Head can rotate +/- 45° sideways. This product is fitted with an integrated energy-saving LED light source. Should you wish to replace it, please contact Louis Poulsen so we can help you purchase the correct LED Replacement Kit. Please note that LED-replacement should always be carried out by an authorised electrician.



Related products



Keglen



Keglen Table



Keglen Floor

Product variants

Colour	Light source	Lumen	Switch
● Black	LED 2700-2000K D2W 8.5W	338	-
○ White	LED 3000K 8.5W	358	With dimmer
		457	
		484	

Design

Big Ideas

Weight

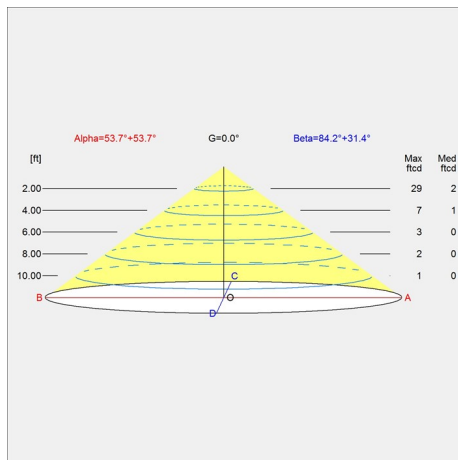
Min: 0.925 kg Max: 1.025 kg

Finish

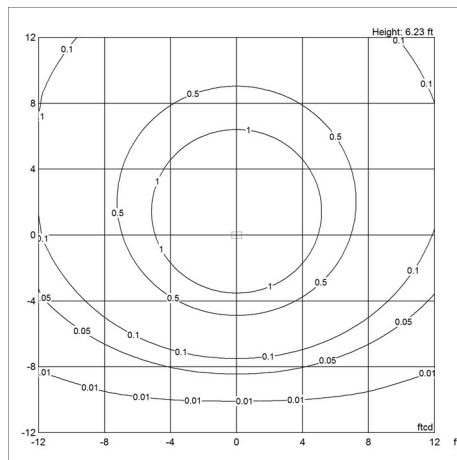
Black, White

Light distribution diagrams

Cartesian



Isolux



Polar

