

KEGLEN TABLE

The table lamp's distinctive conical shade has a built-in curved diffuser. This ensures an attractive and glare-free downwardly directed light. The stem morphs into the diffuser shade, folding inward and creating a beautiful organic geometry. A gentle light is also emitted upward through a discreet uniform opening in the top of the shade to create a perfect ambiance.



Jakob Lange - BIG Ideas

BIG Ideas, BIG's technology-driven specialist product division, is managed by architect Jakob Lange and produces the practice's lamps and other types of digital projects that underpin BIG's designs, buildings and ideas.



Product info

Environmental Product Specification

This product is compliant with the requirements contained in the European Directives, RoHS Directive 2011/65 and 2015/863. This product is designed so that 100% of the product can be disassembled and reused.

Information

With programming by the customer, there is a possibility to disable the switch. An integrated memory function ensures that the lamp will return to its latest adjusted lumen output when power has been removed and restored. This product is fitted with an integrated energy-saving LED light source. Should you wish to replace it, please contact Louis Poulsen so we can help you purchase the correct LED Replacement Kit. Please note that LED-replacement should always be carried out by an authorised electrician.

Mounting

Cord type: Plastic. Cord length: 2.3 m. Switch: On the base. Stepless dimming. Adapter: External with plug. Table lamp available with base or pin Ø40. Table thickness Ø40. Pin: 5-46 mm. Possibility to disable the on/off switch.

Finish

Black or white, matt, wet-painted.

Materials

Shade: Spun aluminum. Diffusor: Injection-molded PC. Base: Die cast aluminum. Stem: Machined aluminum.

Sizes and weights

Width x Height x Length (mm) | 175 x 440 x 175 Max 1.5 kg

Class

Ingress protection IP20. Class II.

Light source

LED 2700-2000K D2W 8.5W

Lumen: 383

Information

With programming by the customer, there is a possibility to disable the switch. An integrated memory function ensures that the lamp will return to its latest adjusted lumen output when power has been removed and restored. This product is fitted with an integrated energy-saving LED light source. Should you wish to replace it, please contact Louis Poulsen so we can help you purchase the correct LED Replacement Kit. Please note that LED-replacement should always be carried out by an authorised electrician.



Related products



Keglen



Keglen Wall



Keglen Floor

Product variants

Colour	Light source	Lumen
<input checked="" type="radio"/> Black	LED 2700-2000K D2W 8.5W	383
<input type="radio"/> White	LED 3000K 8.5W	405
		485
		513

Design

Big Ideas

Weight

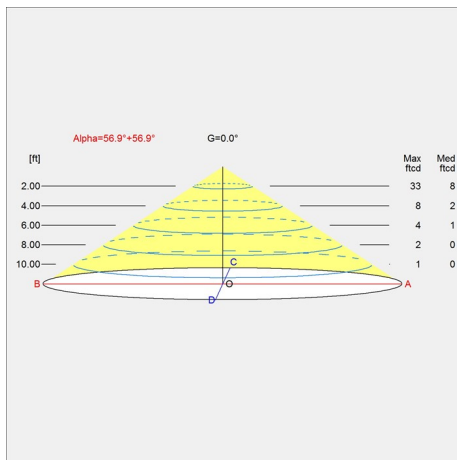
Min: 0.7 kg Max: 1.5 kg

Finish

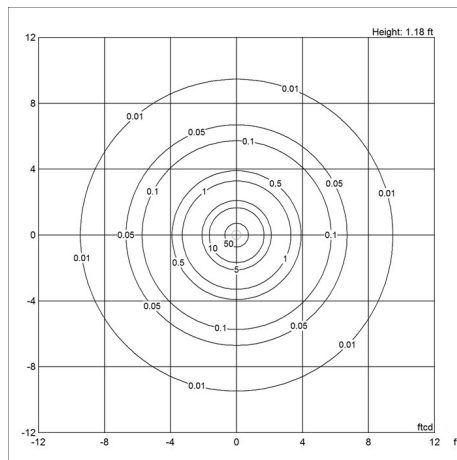
Black, White

Light distribution diagrams

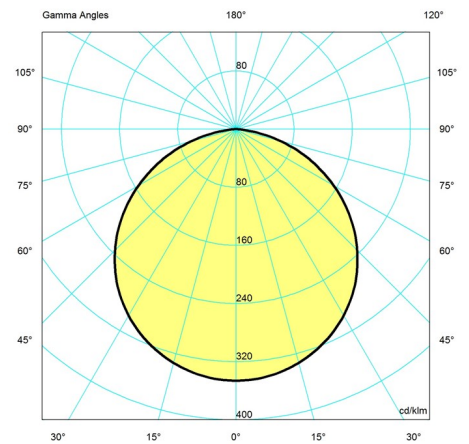
Cartesian



Isolux



Polar



Spare parts & accessories

Product

- Adaptor 12V black
- Adaptor 12V white

Variant number

- 5744164867
- 5744164870