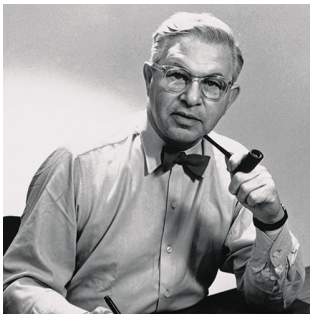


AJ WALL LAMP

The fixture emits downward directed light. The angle of the screen can be adjusted approximately 90 degrees up and down and 60 degrees to each side to optimize light distribution. The shade is painted white on the inside to ensure a soft comfortable light.



Arne Jacobsen

Arne Jacobsen was born and raised in Copenhagen. In 1927, he graduated as an architect from the Royal Danish Academy of Fine Arts in Copenhagen. After graduating, he obtained his first job at the office of the City Architect of Copenhagen launching his own office only two years later.



Product info

Environmental Product Specification

This product is compliant with the requirements contained in the European Directives, RoHS Directive 2011/65 and 2015/863. This product is designed so that 100% of the product can be disassembled and reused.

Mounting

Mounting with cord and plug or for hardwiring. With cord: Cord with plug. Cord length: 2.4m. Light control: On/off switch on wall box. Without cord for hardwiring: Wall bracket for mounting on wall. Light control: Two options. Either with on/off switch on wall box or without switch on wall box with turn on/off at main switch

Finish

White, Black, Pale Petroleum, Warm Sand, Soft Lemon, Electric Orange, Dusty Blue, Warm Grey, Stainless Steel Polished.

Materials

Shade: Spun steel or stainless steel. Wall box: Spun steel or deep drawn stainless steel. Arm: Steel or stainless steel.

Sizes and weights

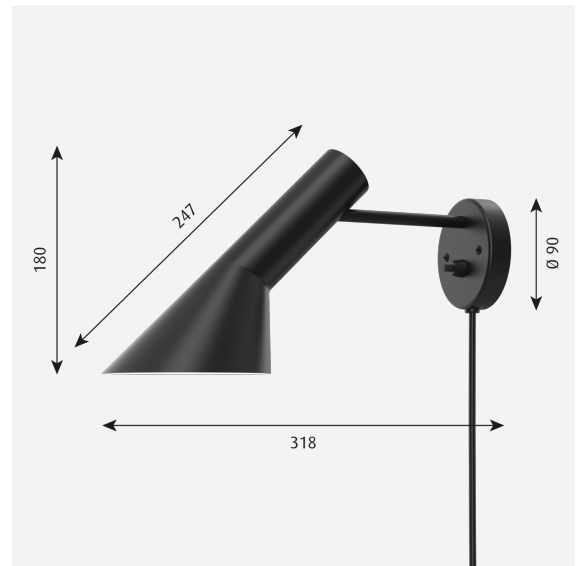
width x Height x Length (mm) | 145 x 180 x 318 Max 1.1 kg

Class

Ingress protection IP20. With cord and plug: Electric shock protection II. For hardwiring: Electric shock protection I.

Light source

1x20W E14



Related products



AJ Table Lamp



AJ Floor Lamp



AJ 50 Outdoor Wall Lamp



AJ Mini Table Lamp



AJ Royal Pendant



AJ Garden Bollard



AJ Oxford Table Lamp



AJ Mini Anniversary Edition

Product variants

Colour	Cable type	Light source	Class	Switch
<input checked="" type="radio"/> Black	With cord	1x20W E14	I	With switch
<input type="radio"/> Dusty blue	Without cord		II	Without switch
<input type="radio"/> Electric orange				
<input type="radio"/> Pale petroleum				
<input type="radio"/> Soft lemon				
<input type="radio"/> Stainless steel polished				
<input type="radio"/> Warm grey				
<input type="radio"/> Warm sand				
<input type="radio"/> White				

Product description

Terse and iconic design

A semi-conical fixture head.

An arm fixed to a round mounting box holds the fixture head.

Fixture head rotates and pivots to direct light as needed.

Different colour variants.

Is a member of a product family for both outdoor and indoor.

Mounting

Back plate dimension: 4.8" diameter. Mounts onto 4" octagonal outlet box. (USA only)

Light description

The fixture emits glare free, directed light.

Combined direct and indirect light ensures directed light with soft shadows

The shade is painted white on the inside to ensure a soft comfortable light distribution.

Design

Arne Jacobsen

Material

Fixture head and wall box: spun aluminium, 1.5mm (0.06") thick, wet painted.

Arm: extruded aluminium, 1.5mm (0.06") thick, wet painted.

Mounting plate: zinc plated aluminium, 1.5mm (0.06") thick.

Switch: on/off, phenolic black.

Socket: Porcelain, candelabra base for G16, 5, frosted envelope lamps.

Weight

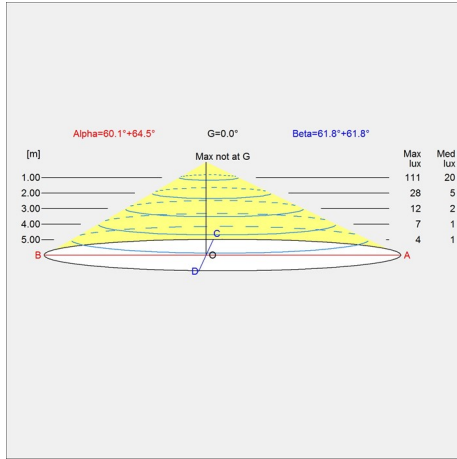
Min: 0.831 kg Max: 1.061 kg

Finish

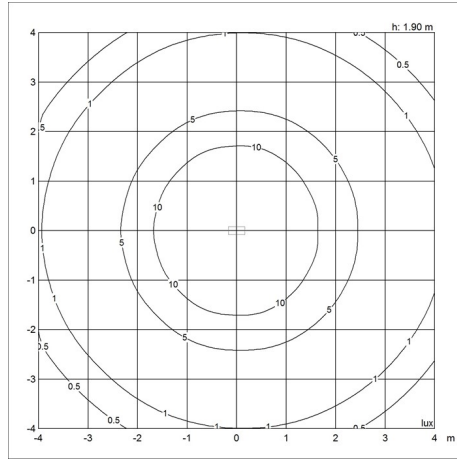
Black, Dusty blue, Electric orange, Pale petroleum, Soft lemon, Stainless steel polished, Warm grey, Warm sand, White

Light distribution diagrams

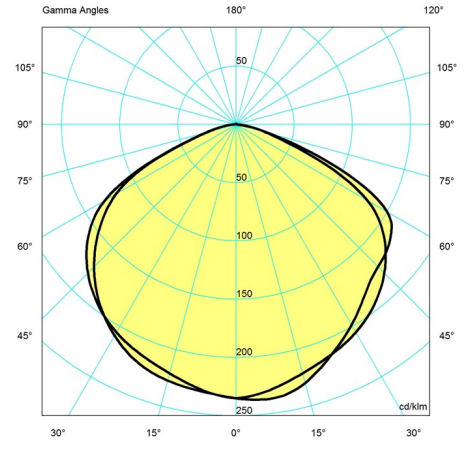
Cartesian



Isolux



Polar



Spare parts & accessories

Product	Variant number
AJ Electric Orange union nut	5744170301
AJ Soft Lemon union nut	5744170314
AJ Warm Sand union nut	5744170327
AJ Dusty Blue union nut	5744170330
AJ Warm Grey union nut	5744170343
AJ Brass union nut	5744170563