

# YUH WALL

**Project name:**

**Project type:**

**Notes:**



## Design

GamFratesi

## Product description

Yuh wall lamp was designed by GamFratesi. The fixture head is highly adjustable by sliding up & down on a slender stem while also pivoting and rotating. An efficient LED light source with an opal lens provides comfortable illumination.

## Variant options

**Color**

- Black
- Brass/black
- Brass/white
- White

**Light source**

LED 2700K

**Voltage frequency**

120V

## Light description

Light distribution is 100% glare-free. Direct view of the light source is prevented to eliminate glare. Standard CCT in 2700K, controlled by electronic driver.

## Mounting

Mounted directly to finished surface over a 4" octagonal junction-box. Switch: On/off switch on the wall plate. Electronic LED driver is housed inside the wall box.

## Information

Electrical:  
 System Wattage: 10W  
 LED Wattage: 9W  
 Delivered lumens: 446  
 Efficacy: 44.6 lm/W  
 Certifications:  
 cULus, Dry Location  
 Protection class IP20  
 Controllability: Dimming by integral button switch  
 Color Rendering: Ra≥90

## Voltage

120V

## Material

Luminaire constructed in aluminum for durability and heat management. Springs and mounting hardware are steel.

## Weight

Min: 4.63 lbs Max: 4.85 lbs

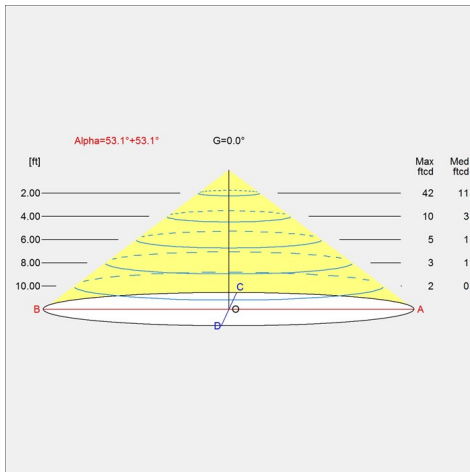
## Finish

Black, Brass/black, Brass/white, White

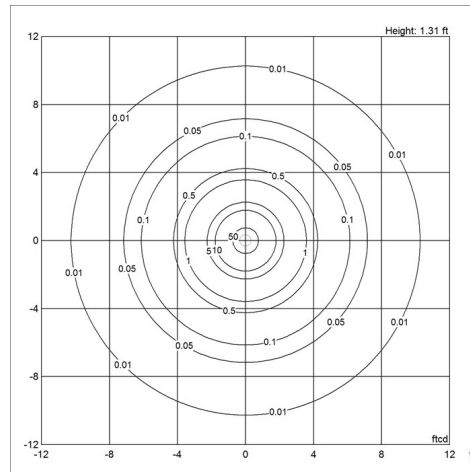
## Light distribution diagrams

For the full data set on all variants, see [louispoulsen.com](http://louispoulsen.com).

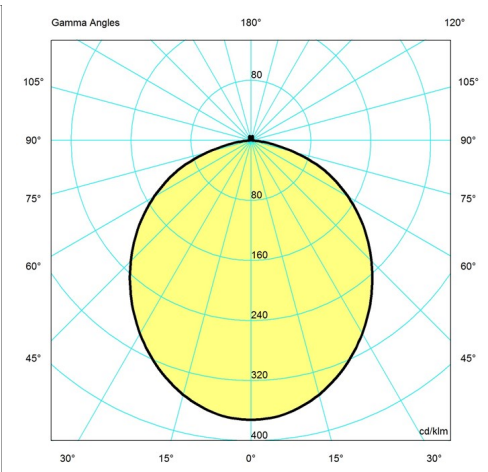
Cartesian



Isolux



Polar



## Variant options

Color	Light source	Voltage frequency	Variant number
<input checked="" type="radio"/> Brass/black	LED 2700K	120V	5743913789
<input checked="" type="radio"/> Black	LED 2700K	120V	5743905315
<input type="radio"/> White	LED 2700K	120V	5743905328
<input type="radio"/> Brass/white	LED 2700K	120V	5743913792