

VL45 RADIOHUS PENDANT

Project name:

Project type:

Notes:



Design

Vilhelm Lauritzen

Product description

VL45 Radiohus pendant features a brass suspension as well as shade of three layers of hand-blown glass. The innermost and outer most layers are made of transparent polished glass, while white glass is used for the intermediate layer. The brass components are untreated and will develop a patina over time. Available in three sizes.



Variant options

Dimension	Light source	Lumen	Voltage frequency	Lighting control
14.6 IN	A-21/medium	-	120V	-
6.9 IN	G16.5/candelabra	2763		Dim 0-10v
9.8 IN	LED 3000-1600K D2W LED 3000K	3353		Phase dimming (mains dimm)

Specification notes

a. 6.9 IN available only in 10W/G16.5/candelabra. b. 9.8 IN available only in 22W/A-21/medium. c. 14.6 IN available in 22W/A-21/120V or 44W LED/120V/Phase dimming or 44W LED/120-277V/0-10V dimming.

Light description

The fixture emits spherical, diffuse light and the thickness of the glass results in very comfortable light distribution. Direct view of the light source is limited by the small bottom opening to reduce glare. Provided with a socket allowing the use of various color temperatures or wirelessly-controlled lamps as desired. 14.6 IN size available in LED of 3000K or Dim-to-Warm option, for 0-10V or mains dimming.

Mounting

Mounts onto a 4 inch octagonal outlet box. Canopy for socketed variants: White flat cone profile, 5.3 IN diameter x 1 IN tall. Canopy for LED variants: White dome, 9.4 IN diameter x 4.3 IN tall. Cord type for socketed variants: 3-conductor, 18 AWG PVC white cord. Cord type for LED variants: 2-conductor, 18 AWG white braided fabric covered power cord. Cord length: 12 feet. LED variants include class II driver for inside canopy. LED variants are 0-10V or mains dimming.

Information

Electrical:
 System Wattage: 10W - 44W
 LED Wattage: 9 W or 42 W
 Delivered lumens: 440 - 2,711
 Efficacy: 44.0 lm/W - 123.2 lm/W
 Certifications:
 cULus, Dry Location
 Protection class IP20
 Controllability: 0-10V Dimming (LED variants); Phase dimming (incandescent variants)
 Color Rendering: Ra≥90 for LED variants.
 Performance dependent upon screw-base lamp used in socketed variants.

Other functions

Longer cord lengths. LED in 3500K or 4000K. LED retrofit kit available for existing installations for 14.6 IN size.

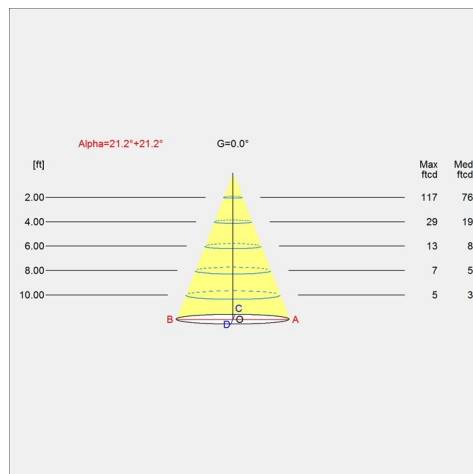
Specification notes

- a. 6.9 IN available only in 10W/G16.5/candelabra.
- b. 9.8 IN available only in 22W/A-21/medium.
- c. 14.6 IN available in 22W/A-21/medium or 44W/LED.
- d. Incandescent variants available only in 120V.
- e. LED variants available with mains dimming at 120V or 0-10V dimming with 120-277V.

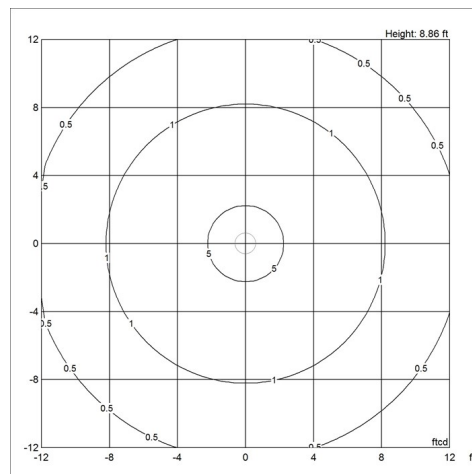
Light distribution diagrams

For the full data set on all variants, see louispoulsen.com.

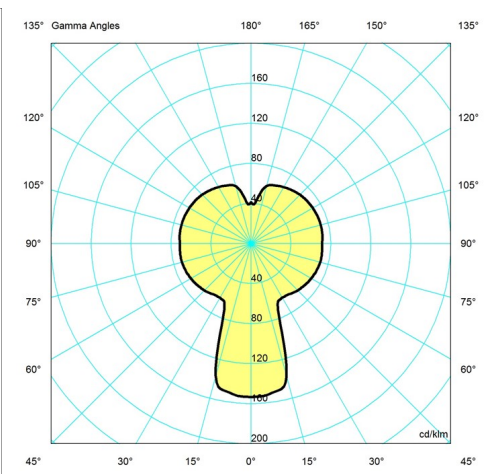
Cartesian



Isolux



Polar



Material

Glass shade is three-layered, glossy, opal white, handblown glass 0.2 IN thick. Stem and glass cap are brushed, untreated brass. Canopy for socketed variant is spun aluminum, 0.03 IN thick. Canopy for LED variants is white polycarbonate dome, 0.1 IN thick. Socket: Porcelain, medium base for A-21 size lamps.

Weight

Min: 11.42 lbs Max: 8.962 lbs

Dimensions

14.6 IN, 6.9 IN, 9.8 IN

Finish

Brass/glossy opal glass

Voltage

120V

Variant options

Dimension	Light source	Lumen	Voltage frequency	Lighting control	Variant number
9.8 IN	A-21/medium	-	120V	-	5741928530
6.9 IN	G16.5/candelabra	-	120V	-	5741925326
14.6 IN	LED 3000K	3353	120V	Dim 0-10v	10000149831
14.6 IN	LED 3000K	3353	120V	Phase dimming (mains dimm)	10000149832
14.6 IN	LED 3000-1600K D2W	2763	120V	Dim 0-10v	10000149833
14.6 IN	LED 3000-1600K D2W	2763	120V	Phase dimming (mains dimm)	10000149834
14.6 IN	A-21/medium	-	120V	-	5741928527