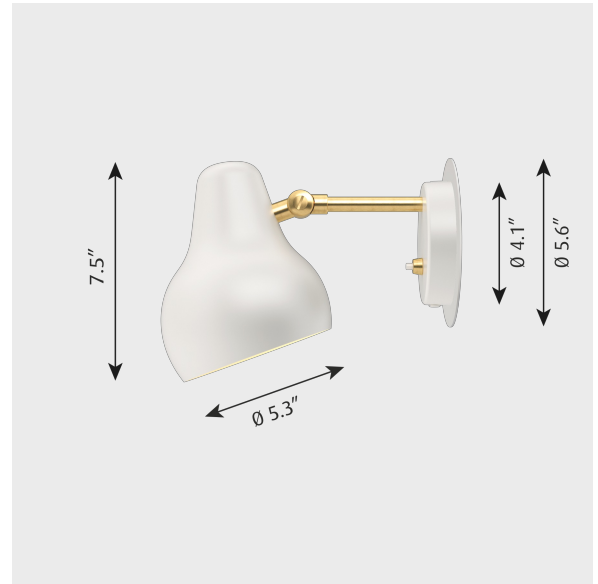


VL38 WALL

Project name:

Project type:

Notes:



Design

Vilhelm Lauritzen

Product description

VL38 wall lamp is based on the original design of the VL38 table lamp, originally designed in the late 1930s by Vilhelm Lauritzen. Reintroduced in 2016 with current LED technology.

Variant options

Color

- Black
- White

Light source

LED 2700K

Voltage frequency

120V

Light description

Light distribution is 100% glare-free. Direct view of the light source is prevented to eliminate glare. Standard CCT in 2700K, controlled by electronic driver.

Mounting

Mounted directly to finished surface over a 4" octagonal junction-box. Switch: On/off switch on the wall plate. Electronic LED driver is housed inside the wall box.

Information

Electrical:
 System Wattage: 10W
 LED Wattage: 9W
 Delivered lumens: 416
 Efficacy: 41.3 lm/W
 Certifications:
 cULus, Dry Location
 Protection class IP20
 Controllability: Dimming by integral button switch
 Color Rendering: Ra≥90

Voltage

120V

Material

Luminaire constructed in aluminum for durability and heat management. Springs and mounting hardware are steel.

Weight

Min: 2.425 lbs Max: 2.425 lbs

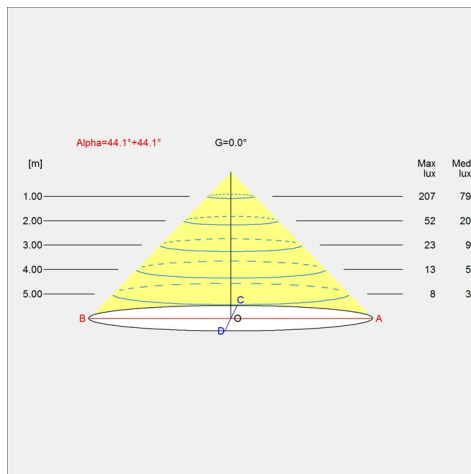
Finish

Black, White

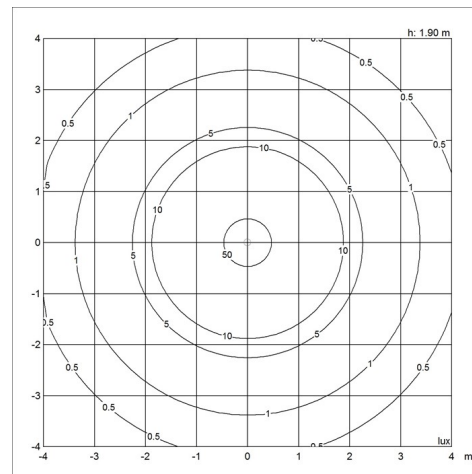
Light distribution diagrams

For the full data set on all variants, see louispuolsen.com.

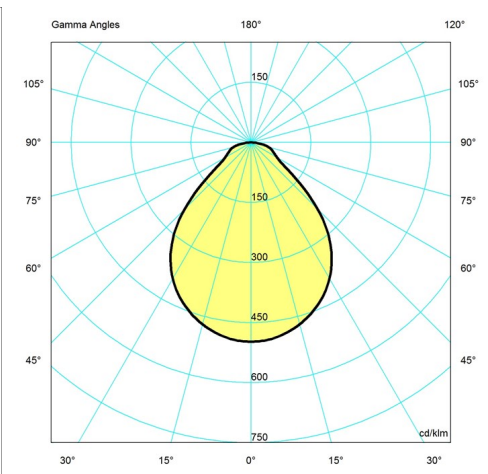
Cartesian



Isolux



Polar



Variant options

Color	Light source	Voltage frequency	Variant number
<input type="radio"/> White	LED 2700K	120V	5743904730
<input checked="" type="radio"/> Black	LED 2700K	120V	5743903964