
VL 38 FLOOR LAMP

Designed by Vilhelm Lauritzen



Technical specifications

Materials

Base: Die cast aluminum. Shade: Spun aluminum. Stem: Brushed brass.

Finishes

Brushed brass. Black or white, powder coated.

Mounting

10' Cord with plug.

Timer function: 4 hours/8 hours.

LED driver: Separate, plugs into power outlet.

On/off foot switch provided. For mounting instructions, see download section on the product detail page.

Information

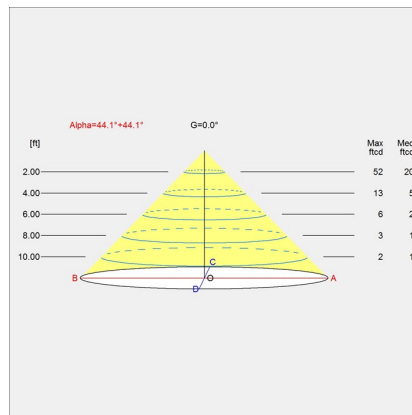
Please note that the brass surfaces are untreated. This means that the surface will change over time and develop a patina. For the E-socket product variants, bulbs are not included. LED light source is part of the product.

VL 38 FLOOR LAMP

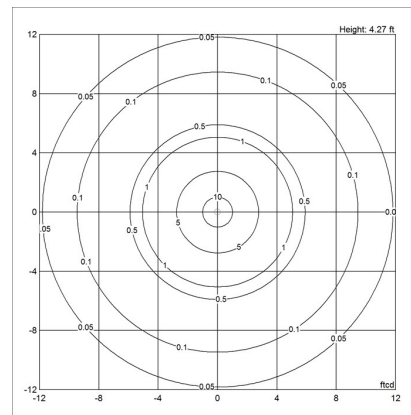
Designed by Vilhelm Lauritzen

Light distribution diagrams

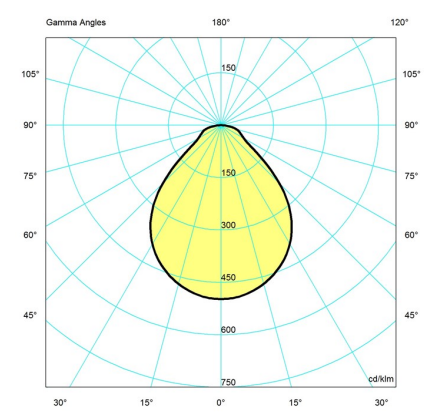
CARTESIAN



ISOLUX



POLAR



Variant Options

For particular variant options, please check our online Product Variants Configurator on the product detail page.

VARIANT NO.	LIGHT SOURCE	VOLTAGE/FRQ	LUMEN	FEATURES	CABLE
5744162270	LED 2700K 9.6W	120V	416	-	-
5744163208	LED 2700K 9.6W	120V	416	-	-

Variants

VARIANT NUMBER	COLOR, RAL	W / H / L (IN) / W (LB)
5744162270	WHT, T08	5.3 / 47.2 / 9.8 IN / 9.3 LB
5744163208	BLK, T09	5.3 / 47.2 / 9.8 IN / 9.3 LB