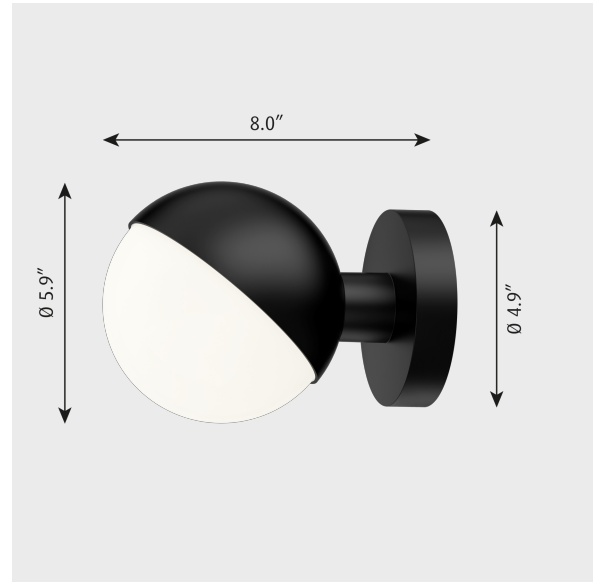


VL STUDIO WALL

Project name:

Project type:

Notes:



Design

Vilhelm Lauritzen

Variant options

Dimension

5.9 IN

Color

Black

Lacquered brass

Light source

30W G9

Voltage frequency

120V

Light description

The fixture emits a glare-free, diffused light. The triple-layered opal glass provides pleasant and uniform illumination of the area around the fixture. The lampshade can be tilted 90 degrees to the right or left, which allows for flexible light distribution.

Weight

Min: 1.874 lbs Max: 2.866 lbs

Dimensions

5.9 IN

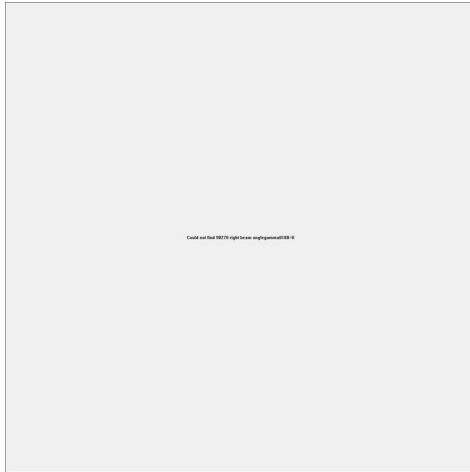
Voltage

120V

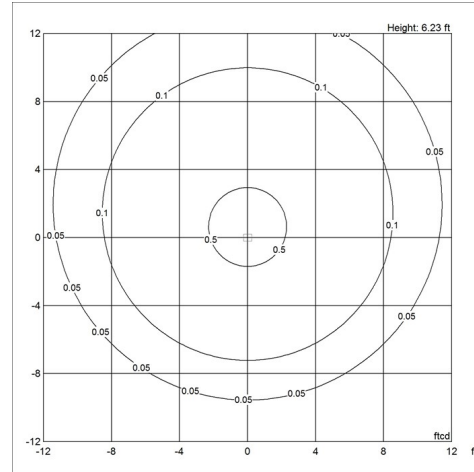
Light distribution diagrams

For the full data set on all variants, see louispoulsen.com.

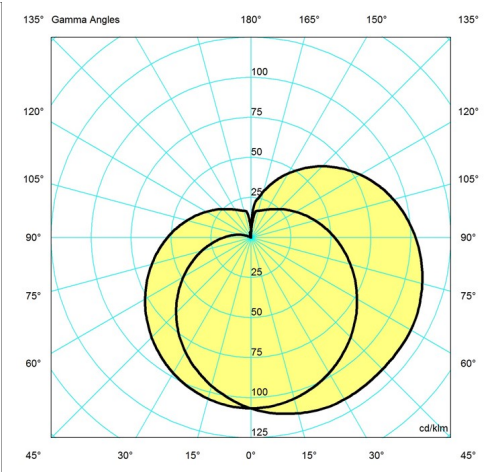
Cartesian



Isolux



Polar



Material

Glass: Hand-blown, triple-layered opal, glossy.

Housing: Deep-drawn aluminum or brass.

Wall box: Die-cast aluminum or forged brass. Please note that the untreated brass will patinate. Surface: Mounted directly to finished surface over a 4" octagonal junction-box. Glass can be unscrewed to change the light source. No switch is on the luminaire; remote switch is required.



Information

The adjustable lampshade can be tilted 90 degrees to the right or left. The untreated brass will change over time and develop a patina.

Finish

Black, Lacquered brass

Variant options

Dimension	Color	Light source	Voltage frequency	Variant number
5.9 IN	 Black	30W G9	120V	5743914652
5.9 IN	 Lacquered brass	30W G9	120V	5743914704