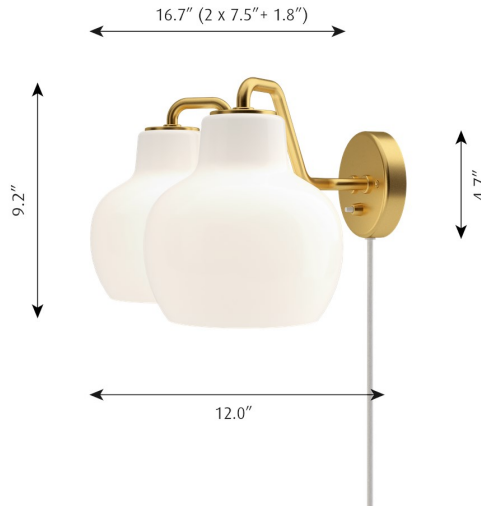


VL RING CROWN WALL

Designed by Vilhelm Lauritzen



Description

The wall lamp emits light directed primarily downwards. The opal glass provides a comfortable and uniform illumination of the area around the fixture.

Variants

VARIANT NUMBER	COLOR, RAL	W / H / L (IN) / W (LB)
5743913611	BRASS/GLOSSY OPAL GLASS	7.5 / 9.2 / 10.8 IN / 3.4 LB
5743913637	BRASS/GLOSSY OPAL GLASS	16.7 / 9.2 / 12 IN / 6.0 LB

Materials & Finishes

MATERIALS

Hand blown, 3-layered, opal glass. Wall lamp arm and wall-box: Untreated brass, will patinate.

FINISHES

Glossy, hand blown white opal glass. Satin polished brass, untreated.

Mounting

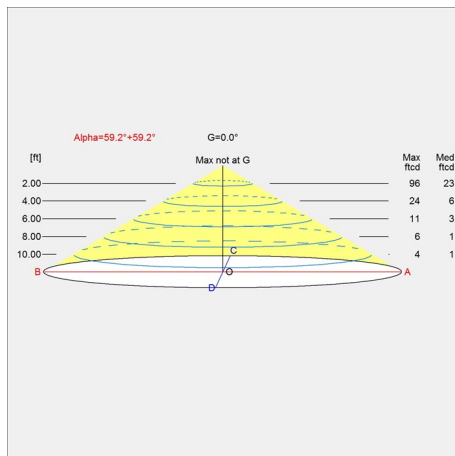
Surface: Mounted directly to finished surface over a 4" octagonal junction-box. Switch: On/off switch on the wall plate. For mounting instructions, see download section on the

Information

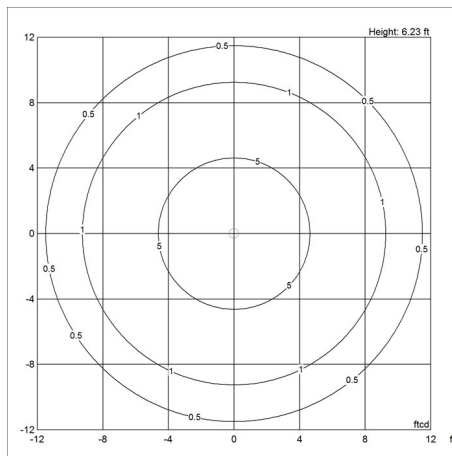
Please note that the brass surfaces are untreated. This means that the surface will change over time and develop a patina. The total weight of the fixtures are calculated with the average weight of the glass (1.5 lbs.). They vary from 1.3 to 1.8 lbs. For the E-socket product variants, bulbs are not included. LED light source is part of the product.

Light distribution diagrams

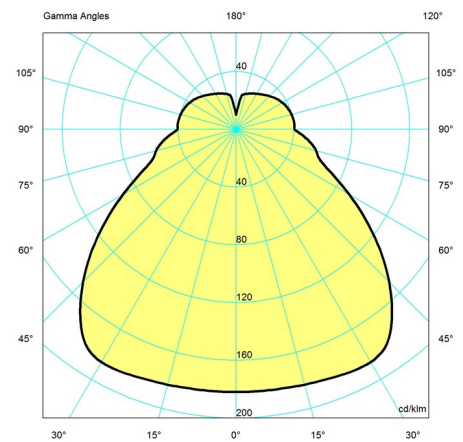
CARTESIAN



ISOLUX



POLAR



Variant Options

For particular variant options, please check our online Product Variants Configurator on the product detail page.

VARIANT NO.	LIGHT SOURCE	VOLTAGE/FRQ	LUMEN	FEATURES	CABLE
5743913611	1x40W A-19/medium	120V	936	-	With cord
5743913637	2x40W A-19/medium	120V	1872	-	With cord