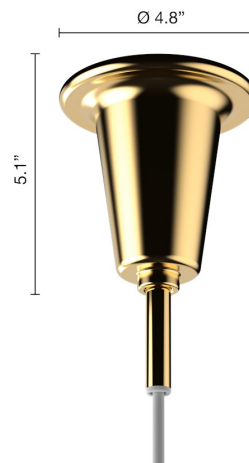
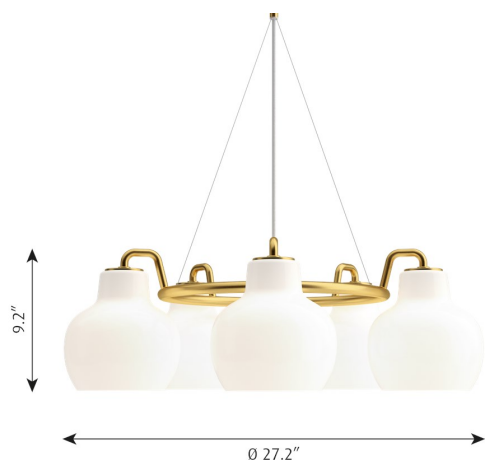

VL RING CROWN 3-5-7 PENDANT

Designed by Vilhelm Lauritzen



Technical specifications

Materials

Shades: Hand blown, 3-layered, polished opal glass. Wires: Stainless steel. Frame and canopy in untreated brass, will patinate.

Finishes

Glossy, hand blown white opal glass. Satin polished brass, untreated.

Mounting

Mounting: Suspension type: 3x stainless steel aircraft cables. Suspension length: 12'. Canopy: Brass. Cord type: 3-conductors, 18 AWG white braided fabric covered cord. Cord length: 12'. For mounting instructions, see download section on the product detail page.

Information

Electrical:

System Wattage: 45W or 105W

LED Wattage: 41 W or 97 W

Delivered lumens: 1,808 - 6,500

Efficacy: 40.2 lm/W - 61.9 lm/W

Certifications:

cULus, Dry Location

Protection class IP20

Controllability: Phase dimming

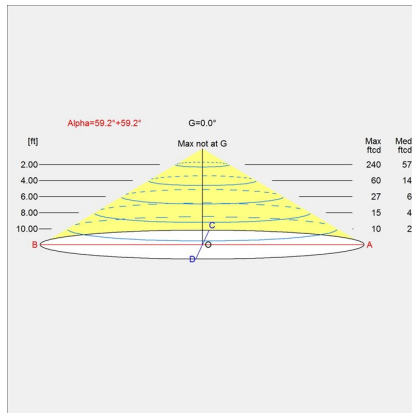
Actual performance dependent upon screw-base lamp used. For the E-socket product variants, bulbs are not included. LED light source is part of the product.

VL RING CROWN 3-5-7 PENDANT

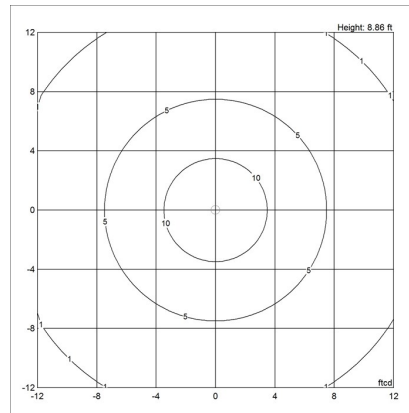
Designed by Vilhelm Lauritzen

Light distribution diagrams

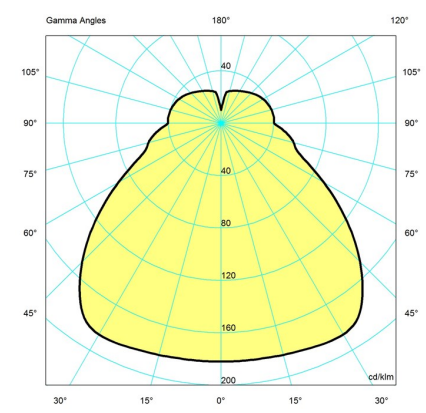
CARTESIAN



ISOLUX



POLAR



Variant Options

For particular variant options, please check our online Product Variants Configurator on the product detail page.

VARIANT NO.	LIGHT SOURCE	VOLTAGE/FRQ	LUMEN	FEATURES	CABLE
5741925449	3x40W A-19/ medium US	120V	2807	-	White fabric cord
5741925465	5x40W A-19/medium US	120V		-	White fabric cord
5741925481	7x40W A-19/Medium US	120V	6551	-	White fabric cord

Variants

VARIANT NUMBER	COLOR, RAL	W / H / L (IN) / W (LB)
5741925449	BRASS/GLOSSY WHITE OPAL GLASS	21.7 / 9.2 / 21.7 IN / 11.8 LB
5741925465	BRASS/GLOSSY WHITE OPAL GLASS	27.2 / 9.2 / 27.2 IN / 16.9 LB
5741925481	BRASS/GLOSSY WHITE OPAL GLASS	35.2 / 9.2 / 35.2 IN / 22.1 LB