

VL RING CROWN 1

Project name:

Project type:

Notes:



Design

Vilhelm Lauritzen

Product description

VL Ring Crown family derives from a lamp designed by architect Vilhelm Lauritzen for the Danish broadcasting house in Copenhagen. The VL Ring Crown 1 features a brass suspension stem supporting an opal white glass pendant with an open bottom. The brass components are untreated and will develop a patina over time. The VL Ring Crown series includes pendant rings that have 3, 5 or 7 glass shades, and a wall mounted version.



Variant options

Light source

A-19/ medium US

Voltage frequency

120V

Light description

The fixture emits spherical, diffuse light and the thickness of the glass results in very comfortable light distribution. Direct view of the light source is limited by the small bottom opening to reduce glare. Provided with a medium base socket allowing the use of various color temperatures or wirelessly-controlled lamps as desired.

Mounting

Mounts onto a 4 inch octagonal outlet box. Canopy: brass cone profile, Glass support: die cast aluminum. Cord type: 3-conductor, 18 AWG white fabric-covered power cord. Cord length: 12 feet.

Information

Electrical:

System Wattage: 15W

LED Wattage: 14 W

Delivered lumens: 936

Efficacy: 62.4 lm/W -

Certifications:

cULus, Dry Location

Protection class IP20

Controllability: Phase dimming

Actual performance dependent upon screw-base lamp used.

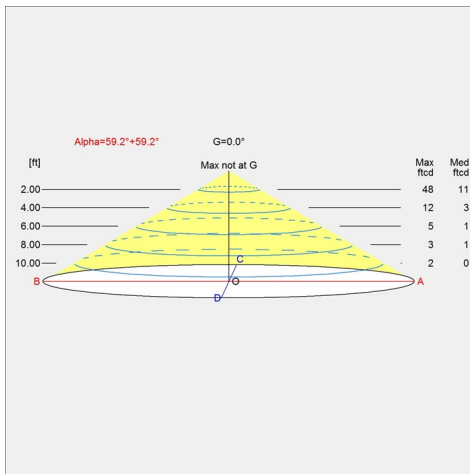
Finish

Brass/glossy opal glass

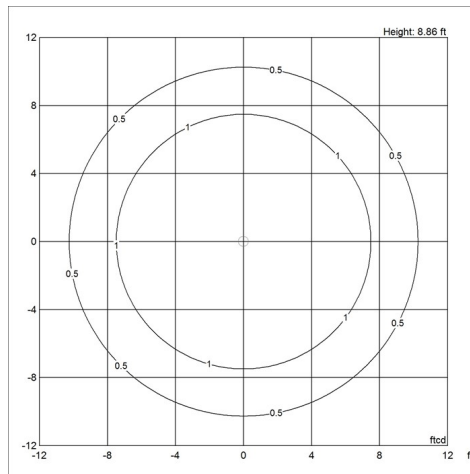
Light distribution diagrams

For the full data set on all variants, see louispoulsen.com.

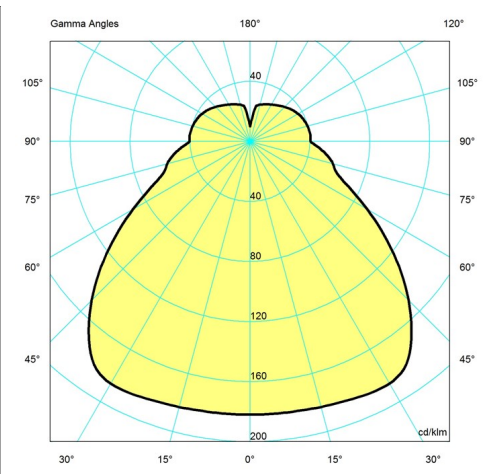
Cartesian



Isolux



Polar



Material

Glass shade is opal white, handblown glass 0.2 IN thick. Frame and canopy are brushed, untreated brass. Socket: Porcelain, medium base for A-19 size lamps. Mounting bracket is galvanized steel, 0.06 IN thick. Glass support: die cast aluminum.

Weight

3.371

Other functions

Longer cord lengths.

Voltage

120V

Variant options

Light source

A-19/ medium US

Voltage frequency

120V