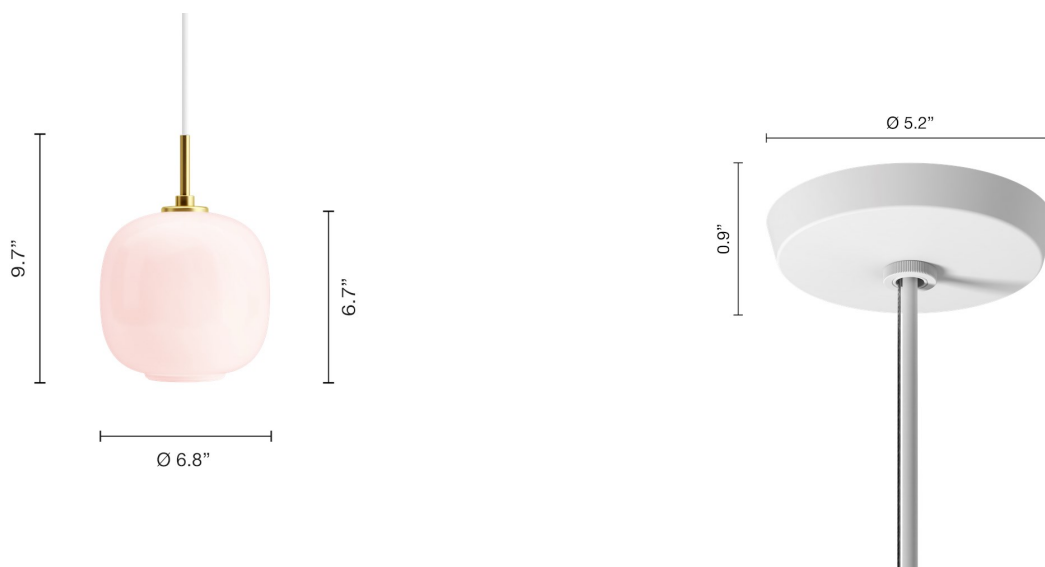

VL 45 RADIOHUS PALE ROSE PENDANT

Designed by Vilhelm Lauritzen



Technical specifications

Materials

Mouth-blown pale rose coloured glass with white innerside.
Untreated brushed brass, will patinate.

Finishes

Glossy pale rose opal glass with white innerside. Brushed brass, untreated.

Mounting

Canopy: Yes.
Cord type: 2-conductor, 18 AWG white braided fabric covered power cord.
Cord length: 12'. For mounting instructions, see download section on the product detail page.

Information

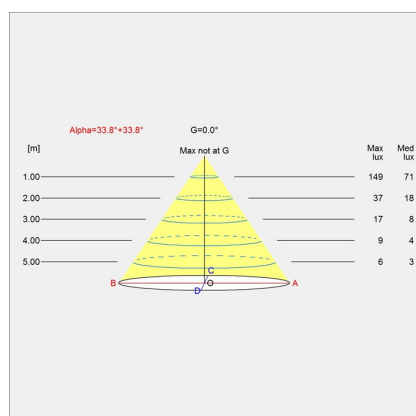
Please note that the brass is untreated. This means that the surface will change over time and develop a patina if left unpolished. For the E-socket product variants, bulbs are not included. LED light source is part of the product.

VL 45 RADIOHUS PALE ROSE PENDANT

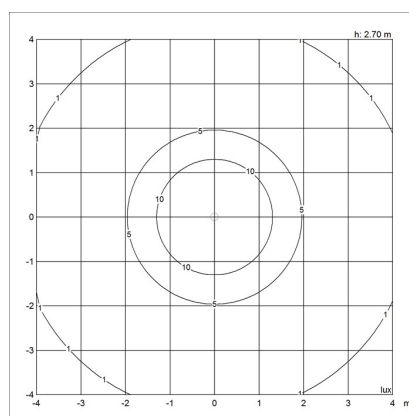
Designed by Vilhelm Lauritzen

Light distribution diagrams

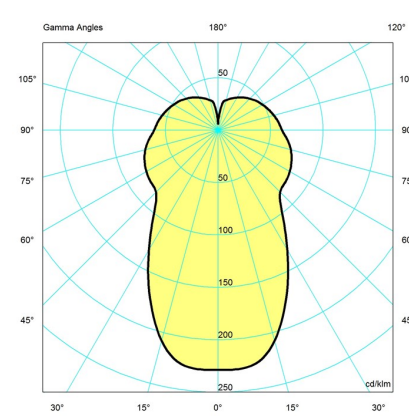
CARTESIAN



ISOLUX



POLAR



Variant Options

For particular variant options, please check our online Product Variants Configurator on the product detail page.

VARIANT NO.	LIGHT SOURCE	VOLTAGE/FRQ	LUMEN	FEATURES	CABLE
5741940770	1x20W E12	120V	572	-	White fabric cord
5741940819	1x22W A-21/medium	120V	926	-	White fabric cord
5741945089	1x22W A-21/medium	120V		-	White fabric cord

Variants

VARIANT NUMBER	COLOR, RAL	W / H / L (IN) / W (LB)
5741940770	BRASS/GLOSSY PALE ROSE GLASS	6.9 / 9.7 / 6.9 IN / 3.1 LB
5741940819	BRASS/GLOSSY PALE ROSE GLASS	9.8 / 12.9 / 9.8 IN / 4.5 LB
5741945089	BRASS/GLOSSY PALE ROSE GLASS	9.8 / 12.9 / 9.8 IN / 4.5 LB