
PANTHELLA FLOOR LAMP

Designed by Verner Panton



Technical specifications

Materials

Base: White, injection molded ABS. Shade: Injection molded white opal acrylic. Housing: White, injection molded ABS. Stem: White, steel.

Finishes

White, opal acrylic.

Mounting

11' Cord with plug.

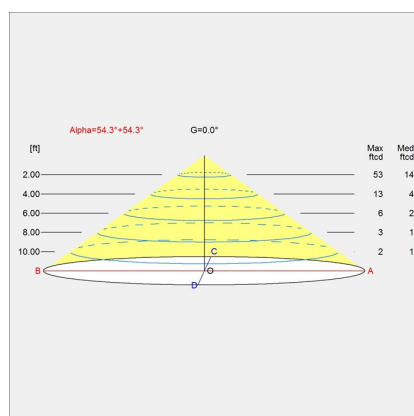
On/off foot switch provided. For mounting instructions, see download section on the product detail page.

PANTHELLA FLOOR LAMP

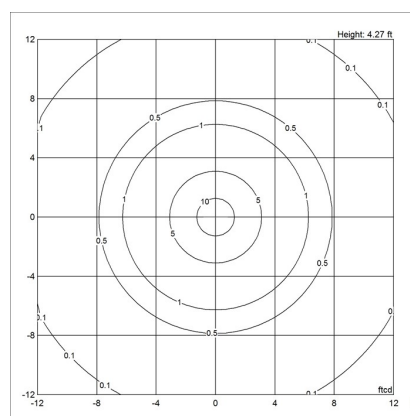
Designed by Verner Panton

Light distribution diagrams

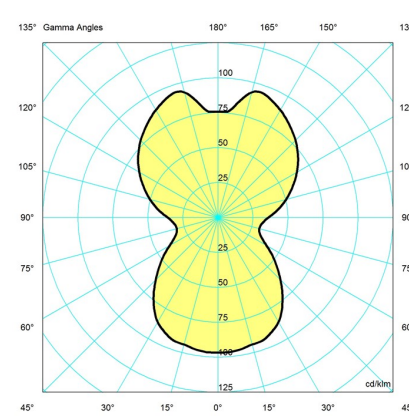
CARTESIAN



ISOLUX



POLAR



Variant Options

For particular variant options, please check our online Product Variants Configurator on the product detail page.

VARIANT NO.	LIGHT SOURCE	VOLTAGE/FRQ	LUMEN	FEATURES	CABLE
10000155551	1x22W A-21/IF medium US	120V	1608	-	-

Variants

VARIANT NUMBER	COLOR, RAL	W / H / L (IN) / W (LB)
10000155551	WHT OPAL ACRYL, 970	19.7 / 51.4 / 19.7 IN / 12.4 LB