
PH 3/2 PENDANT

Designed by Poul Henningsen



Technical specifications

Materials

Shades: Hand blown white opal glass. Suspension: Black metalized or high lustre chrome plated, brass.

Finishes

Black metalized or high lustre chrome plated. White opal glass.

Mounting

Canopy: White. Cord type: 3-conductor, 18 AWG black PVC power cord. Cord length: 12'. For mounting instructions, see download section on the product detail page.

Information

Electrical:
System Wattage: 15W
LED Wattage: 14 W
Delivered lumens: 777
Efficacy: 51.8 lm/W

Certifications:

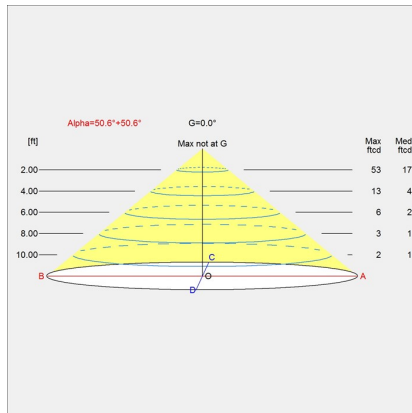
cULus, Dry Location
Protection class IP20
Controllability: Phase dimming
Actual performance dependent upon screw-base lamp used. For the E-socket product variants, bulbs are not included. LED light source is part of the product.

PH 3/2 PENDANT

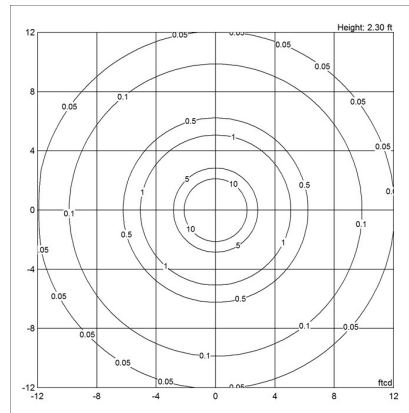
Designed by Poul Henningsen

Light distribution diagrams

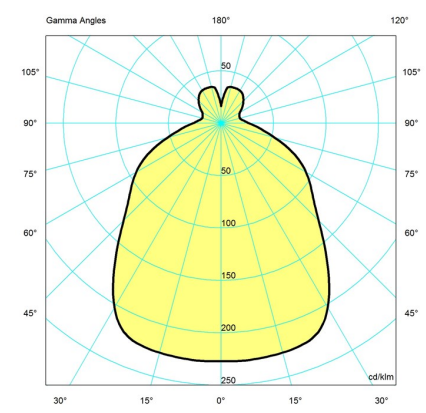
CARTESIAN



ISOLUX



POLAR



Variant Options

For particular variant options, please check our online Product Variants Configurator on the product detail page.

VARIANT NO.	LIGHT SOURCE	VOLTAGE/FRQ	LUMEN	FEATURES	CABLE
5741935471	1x15W A-19/medium	120V	777	-	Black fabric cord
5741935484	1x15W A-19/medium	120V	777	-	Black fabric cord
5741935497	1x15W A-19/medium	120V	777	-	White fabric cord

Variants

VARIANT NUMBER	COLOR, RAL	W / H / L (IN) / W (LB)
5741935471	HIGH LUSTRE CHROME PLATED, 900	11.4 / 9.5 / 11.4 IN / 3.7 LB
5741935484	BLACK METALLIZED, 906	11.4 / 9.5 / 11.4 IN / 3.7 LB
5741935497	BRASS METALLISED	11.4 / 9.5 / 11.4 IN / 3.1 LB