
PH 2/1 DUSTY TERRACOTTA TABLE LAMP

Designed by Poul Henningsen



Technical specifications

Materials

Mouth-blown four layered dusty terracotta coloured glass, glossy on the outside, sandblasted on the inside.

Top plate, base and stem: Aged brass, brushed with fine hairlines and treated with laquer.

Please note the treated aged brass will not change over time.

Finishes

Mouth-blown four-layered dusty terracotta coloured glass with a white sandblasted underside. Aged brass brushed with fine hairlines, laquered.

Mounting

Brown textile cable 2x0,75 mm² with plug.

Cable length: 2.8 m.

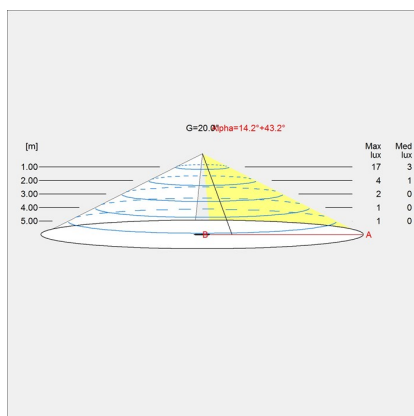
Through-switch. For mounting instructions, see download section on the product detail page.

PH 2/1 DUSTY TERRACOTTA TABLE LAMP

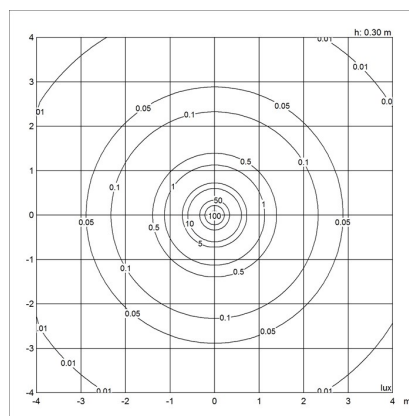
Designed by Poul Henningsen

Light distribution diagrams

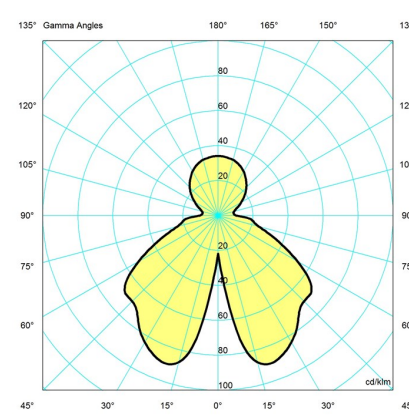
CARTESIAN



ISOLUX



POLAR



Variant Options

For particular variant options, please check our online Product Variants Configurator on the product detail page.

VARIANT NO.	LIGHT SOURCE	VOLTAGE/FRQ	LUMEN	FEATURES	CABLE
5744918343			93	-	Brown fabric cord

Variants

VARIANT NUMBER	COLOR, RAL	W / H / L (IN) / W (LB)
5744918343	DUSTY TERRACOTTA	7.9 / 14 / 7.9 IN / 3.2 LB