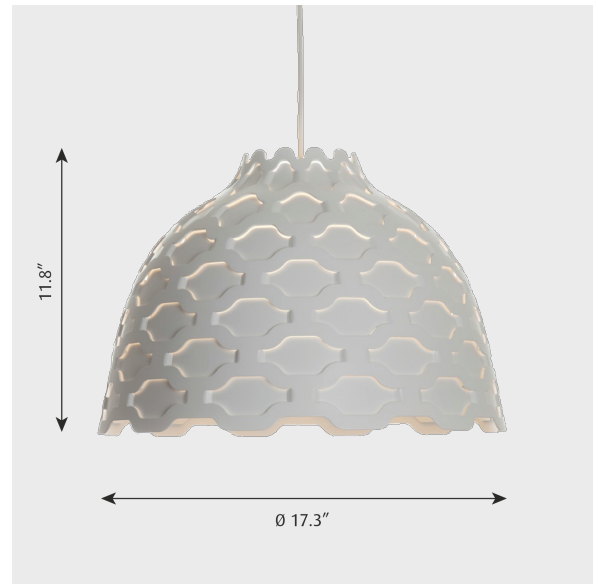


# LC SHUTTERS

Project name:

Project type:

Notes:



## Design

Louise Campbell

## Product description

LC Shutters pendant emits light primarily downward from the bell-shaped shade. The shade pattern is cut and pressed to form two interactive layers, through which the light is emitted in a high-precision pattern. The thick shade ensures a very solid fixture, suitable for applications ranging from children's rooms to executive areas.

## Variant options

Light source

E26

Voltage frequency

120V

## Specification notes

a. Comes with white cord and canopy.

## Light description

The fixture emits diffuse light directed primarily downwards. LC Shutters pendant is provided with a medium socket allowing the user to select the color temperature, or install a wirelessly-controlled lamp.

## Mounting

Can be mounted on 4" octagonal junction box (USA only)

## Information

Electrical:

System Wattage: 15W

Delivered lumens: 1,521

Efficacy: 101 lm/W

Certifications:

cULus, Damp Location

Protection class IP20

Controllability: Phase dimming

Actual performance dependent upon screw-base lamp used.

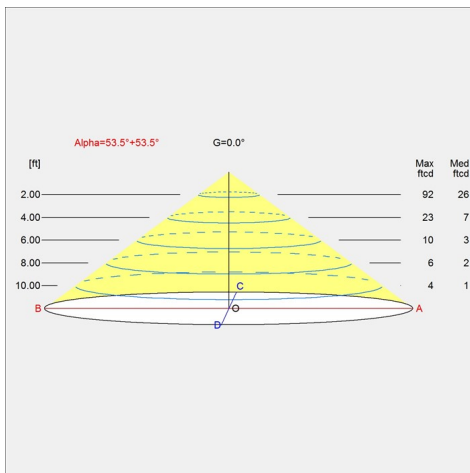
## Finish

White

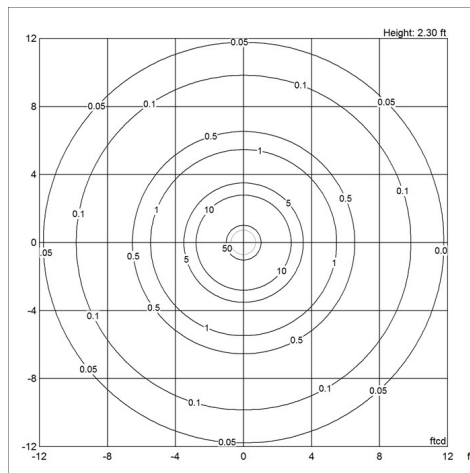
## Light distribution diagrams

For the full data set on all variants, see [louispoulsen.com](http://louispoulsen.com).

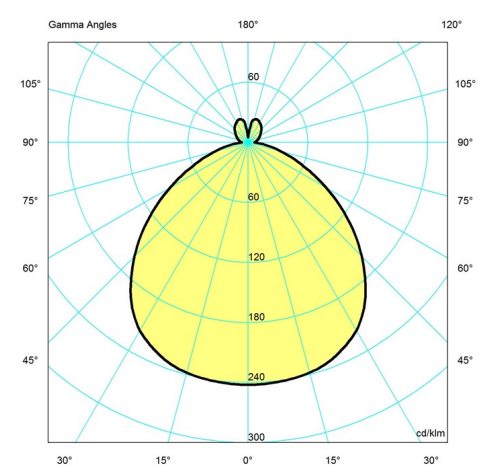
Cartesian



Isolux



Polar



## Material

Shade: spun aluminium, 3mm (0.12") thick, white powder coated.

Inner diffuser: handblown opal glass, 3mm (0.11") thick.

Struts: cast aluminium, 3mm (0.12") thick, white powder coated.

Socket: Porcelain, medium base (E26).

Canopy: 5.3" diameter x 0.9" tall cone of spun aluminium.

Cable: white PVC coated, 12 ft.

## Weight

8.664

## Other functions

Longer cord lengths.

## Voltage

120V

## Variant options

Light source

E26

Voltage frequency

120V