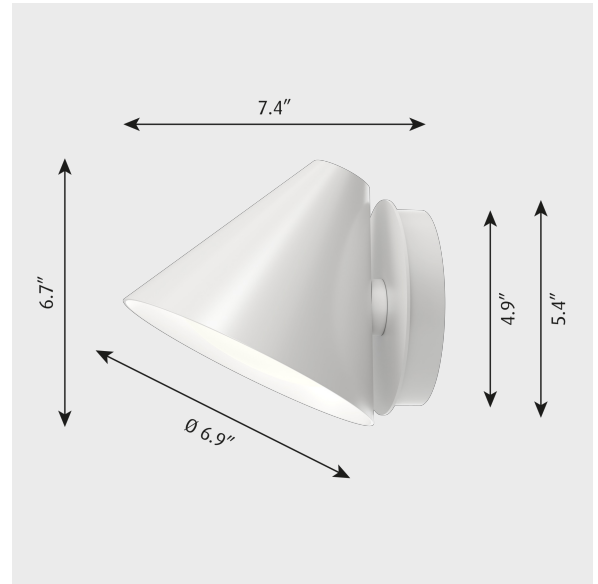


# KEGLEN WALL

**Project name:**

**Project type:**

**Notes:**



## Design

Big Ideas

## Product description

The wall lamp's distinctive conical shade has a built-in curved diffuser. This ensures an attractive and glare-free light. A gentle light is also emitted upward through a discreet uniform opening in the top of the shade to create a perfect ambiance. The fixture can be mounted facing downward to direct the light to a specific spot, or upward for indirect light.

## Variant options

**Color**

Black

White

**Cable type**

Blk

Wht

**Light source**

LED 2700-2000K D2W

LED 3000K

**Lumen**

338

358

457

484

## Light description

The distinctive conical shade with built-in curved opal acrylic produce attractive and glare-free downward light. Dim-to-warm LED CCT ranges from 2700K at 100% to 2000K at maximum dim.

## Mounting

Mounted directly to finished surface over a 4" octagonal junction-box. Switch: push button switch on the top wall box. Electronic LED driver is housed inside the wall box.

## Information

Multi-function button switch: tap for switching on/off; press and hold for continuous dimming. May be disabled for on/off operation by remote wall light switch. An integrated memory function ensures that the lamp will return to its last dim level when turned on.

Head can rotate +/- 45° sideways.

Electrical:

System Wattage: 9W

LED Wattage: 8W

Delivered lumens: 338 - 484

Efficacy: 40 lm/W - 57 lm/W (LED)

Certifications:

cULus, Dry Location

Protection class IP20

Controllability: Continuous dimming by integrated button switch.

Color Rendering: Ra≥90

Dim-to-warm LED CCT: 2700K at 100%; 2000K at max dim.

## Material

Shade: Spun aluminum. Diffusor: Injection molded PC.

## Weight

Min: 2.039 lbs Max: 2.26 lbs

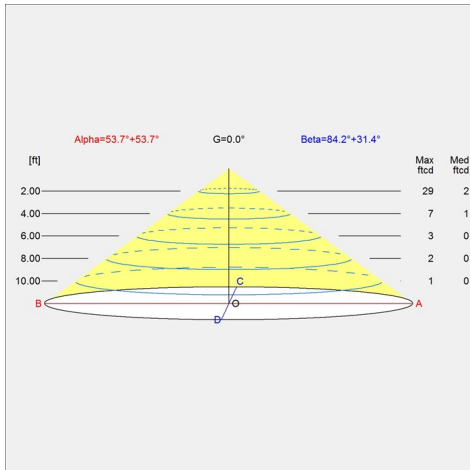
## Finish

Black, White

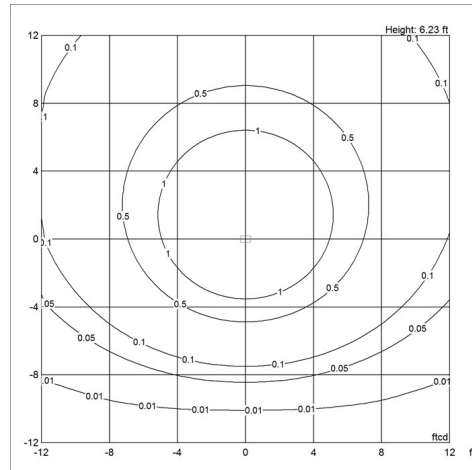
## Light distribution diagrams

For the full data set on all variants, see [louispoulsen.com](http://louispoulsen.com).

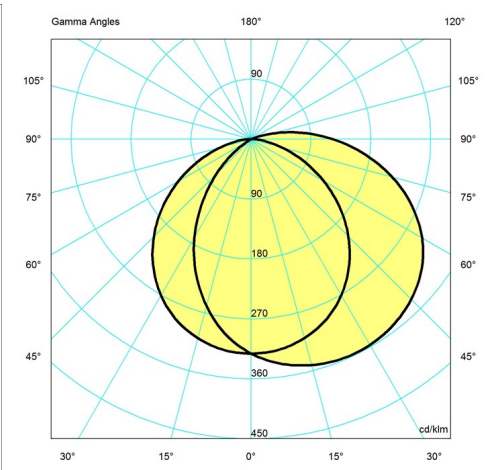
Cartesian



Isolux



Polar



## Variant options

Color	Cable type	Light source	Lumen	Variant number
<input type="radio"/> White	Wht	LED 2700-2000K D2W	457	5743914364
<input checked="" type="radio"/> Black	Blk	LED 2700-2000K D2W	338	5743914377
<input checked="" type="radio"/> Black	Blk	LED 3000K	358	5743916207
<input type="radio"/> White	Wht	LED 3000K	484	5743916252