

COLLAGE 450/600

Project name:

Project type:

Notes:



Design

Louise Campbell

Product description

Collage pendant emits light primarily downward. Three unique laser cut acrylic shades are carefully staggered to create a pattern that shields the glare of the light source. The different shade patterns differ to provide a variation of light and shadow from different viewing angles.

Variant options

Dimension

17.7 IN
23.6 IN

Light source

A-21/medium

Voltage frequency

120V

Light description

The fixture emits diffuse light directed primarily downwards. Collage pendant is provided with a medium socket allowing the user to select the color temperature, or install a wirelessly-controlled lamp. Add-on accessory of bottom anti-glare diffuse is available.

Mounting

Mounts onto a 4 inch octagonal outlet box. Includes a single stainless steel aircraft wire to support the weight. Canopy: White flat cone profile, 5.3 IN diameter x 1 IN tall. Cord type: 3-conductor, 18 AWG white fabric-covered power cord. Cord length: 12 feet.

Information

Electrical:
 System Wattage: 22W
 LED Wattage: 20 W
 Delivered lumens: 1,625
 Efficacy: 73.9 lm/W
 Certifications:
 cULus, Dry Location
 Protection class IP20
 Controllability: Phase dimming
 Actual performance dependent upon screw-base lamp used.

Other functions

Longer cord lengths.

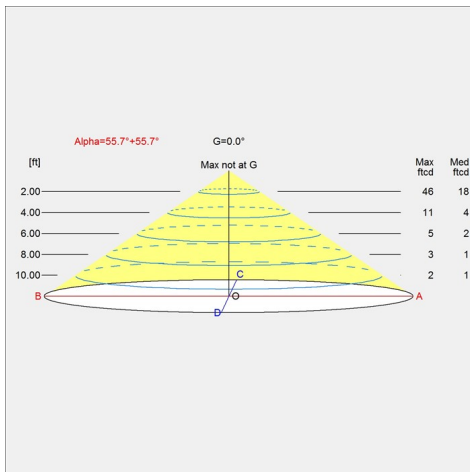
Voltage

120V

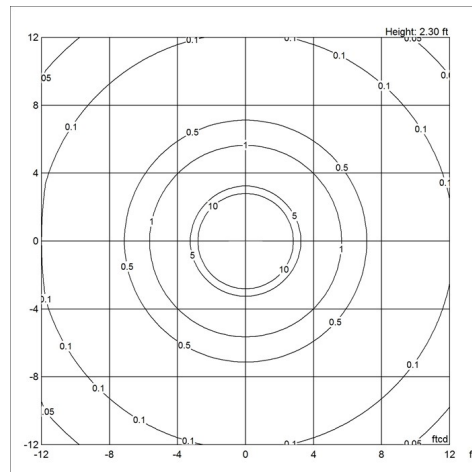
Light distribution diagrams

For the full data set on all variants, see louispoulsen.com.

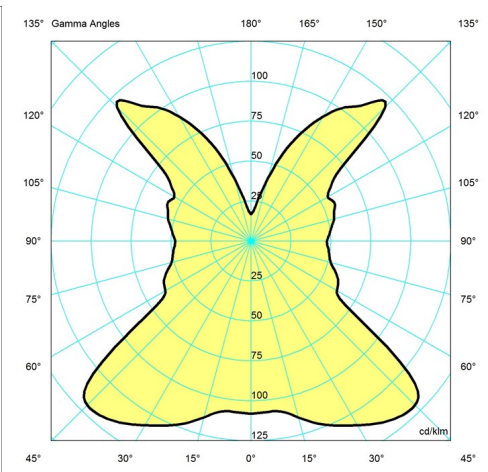
Cartesian



Isolux



Polar



Variant options

Dimension	Light source	Voltage frequency	Variant number
23.6 IN	A-21/medium	120V	5741928682
17.7 IN	A-21/medium	120V	5741928679