

ABOVE

Project name:

Project type:

Notes:



Design

Mads Odgård

Product description

Above pendant is simplistic in form. It is a conical shape that is rounded at the top with 2 small sections cut away to reveal a curved arched top. The cutouts allow just enough light to illuminate the underside of the arch, providing some up-light. When mounted at the proper height, the fixture provides glare-free downward light. Beautiful as a single light or in a series. Exterior finish is either black or white, and the interior is matte white. The fixture is available in 4 different sizes: 6.9", 9.8", 15.9" diameters (heights: 8.3", 11.8", 18.9" respectively).



Variant options

| Dimension | Color | Light source | Lumen | Voltage frequency | Lighting control |
|-----------|---------|--|-------|-------------------|----------------------------|
| 15.7 IN | ● Black | A-15/medium | - | 120-277V/60HZ | - |
| 6.9 IN | ○ White | A-19/medium | 2413 | 120V | Dim 0-10v |
| 9.8 IN | | A-21/medium LED 3000-1600K D2W LED 3000K | 2929 | | Phase dimming (mains dimm) |

Specification notes

- a. 6.9 IN size available only in 10W/A-15/medium.
- b. 9.8 IN size available only in 15W/A-19/medium.
- c. 15.7 IN size available in 22W/A-21/120V or 44W LED/120V/Phase dimming or 44W LED/120-277V/0-10V dimming.
- d. Incandescent variants come with black cord and canopy. LED variants come with white cord and canopy.

Light description

The interior light is reflected downward with the assistance of its white matte interior finish. It is glare-free when hung at a normal height. The medium base socket allows the user flexibility to select the lamp color temperature, or even a wirelessly controlled lamp. Anti-glare bottom diffuser for 15.7 IN: included with LED variants, purchased separately for socketed variants. 15.7 IN sizes available in LED of 3000K or Dim-to-Warm option, for 0-10V or mains dimming.

Mounting

Mounts onto a 4 inch octagonal outlet box. Canopy for socketed variants: Black flat cone profile, 5.3 IN diameter x 1 IN tall. Canopy for LED variants: White dome, 9.4 IN diameter x 4.3 IN tall. Cord type for socketed variants: 3-conductor, 18 AWG black PVC cord. Cord type for LED variants: 2-conductor, 18-AWG black braided fabric-covered power cord. Cord length: 12 feet. LED variants include class II driver for inside canopy.

Information

Electrical:

System Wattage: 10W to 44W

LED Wattage: 9 W or 42 W

Delivered lumens: 351 - 3,160

Efficacy: 35.1 lm/W - 71.8 lm/W

Dim-to-warm LED 3000K (100%) to 1800K (10%)

Certifications:

cULus, Dry Location

Protection class IP20

Controllability: Phase dimming or 0-10V dimming.

Color Rendering: Ra≥90 for LED variants.

Performance dependent upon screw-base lamp used in socketed variants.

Other functions

Longer cord lengths. Alternative finishes. Bottom anti-glare diffusers on certain sizes.

Specification notes

a. 6.9 IN size available only in 10W/A-15/medium/120V.

b. 9.8 IN size available only in 15W/A-19/medium/120V.

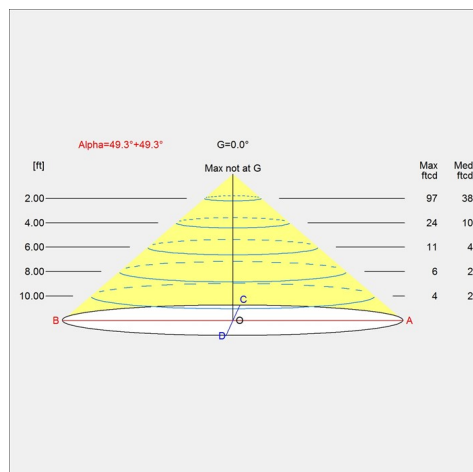
c. 15.7 IN size available in 22W/A-21/120V or 44W LED/120V/Phase dimming or 44W LED/120-277V/0-10V dimming.

d. Incandescent variants come with black cord and canopy. LED variants come with white cord and canopy.

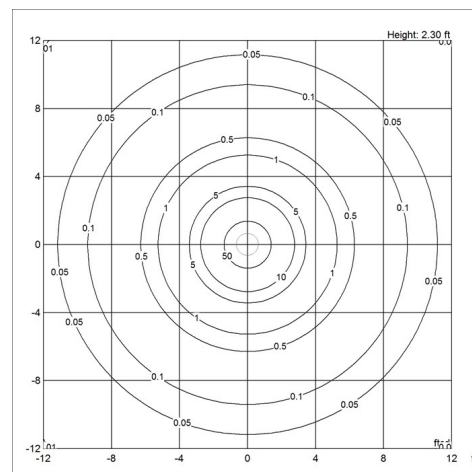
Light distribution diagrams

For the full data set on all variants, see louispoulsen.com.

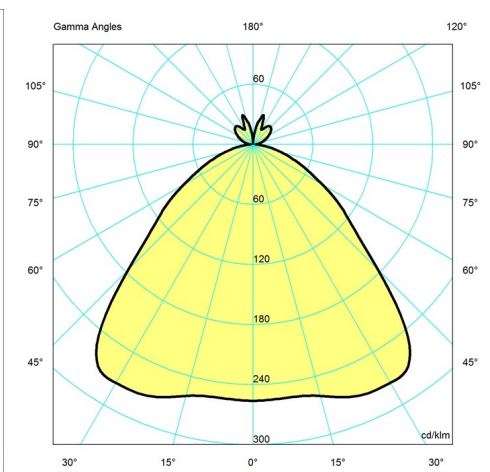
Cartesian



Isolux



Polar



Material

Shade is spun aluminum, 0.08 IN thick. Canopy for socketed variants is spun aluminum, 0.03 IN thick. Canopy for LED variants is white polycarbonate dome, 0.1 IN thick. Socket: Porcelain, medium base for A-21 size lamps. Standard finish are matte surface powder coat with minimum 2 mils thickness in black or white.

Weight

Min: 2.579 lbs Max: 8.691 lbs

Dimensions

15.7 IN, 6.9 IN, 9.8 IN

Finish

Black, White

Voltage

120-277V/60HZ, 120V

Variant options

| Dimension | Color | Light source | Lumen | Voltage frequency | Lighting control | Variant number |
|-----------|---------|--------------------|-------|-------------------|----------------------------|----------------|
| 15.7 IN | ● Black | A-21/medium | - | 120V | - | 5741925384 |
| 6.9 IN | ○ White | A-15/medium | - | 120V | - | 5741919730 |
| 6.9 IN | ● Black | A-15/medium | - | 120V | - | 5741919743 |
| 9.8 IN | ○ White | A-19/medium | - | 120V | - | 5741919756 |
| 9.8 IN | ● Black | A-19/medium | - | 120V | - | 5741919769 |
| 15.7 IN | ○ White | A-21/medium | - | 120V | - | 5741925371 |
| 15.7 IN | ● Black | LED 3000K | 2929 | 120-277V/60HZ | Dim 0-10v | 10000149691 |
| 15.7 IN | ○ White | LED 3000K | 2929 | 120-277V/60HZ | Dim 0-10v | 10000149852 |
| 15.7 IN | ● Black | LED 3000K | 2929 | 120V | Phase dimming (mains dimm) | 10000149855 |
| 15.7 IN | ○ White | LED 3000K | 2929 | 120V | Phase dimming (mains dimm) | 10000149856 |
| 15.7 IN | ● Black | LED 3000-1600K D2W | 2413 | 120-277V/60HZ | Dim 0-10v | 10000149859 |
| 15.7 IN | ○ White | LED 3000-1600K D2W | 2413 | 120-277V/60HZ | Dim 0-10v | 10000149860 |
| 15.7 IN | ● Black | LED 3000-1600K D2W | 2413 | 120V | Phase dimming (mains dimm) | 10000149863 |
| 15.7 IN | ○ White | LED 3000-1600K D2W | 2413 | 120V | Phase dimming (mains dimm) | 10000149864 |