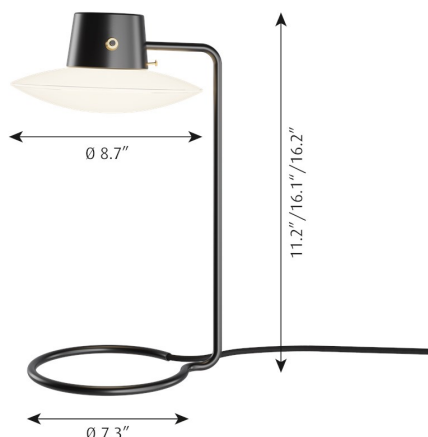

AJ OXFORD TABLE LAMP

Designed by Arne Jacobsen



Technical specifications

Materials

Shade: hand-blown, triple-layered, white-opal glass.
Stem and top shade: Steel.
Mounting device for pin mounting: Aluminum.
Union nut and finger screw in untreated brass with fine clockwise hairlines.

Please note that the untreated brass will patinate.

Finishes

Black wet-painted stem with shade in triple-layered hand-blown opal glass.
Top shade: Black wet-painted with white interior.

Mounting

Black textile cord with plug.
Cord length: 7'.
On/off switch on socket house with union nut in untreated brass.
For mounting instructions, see download section on the product detail page.

Information

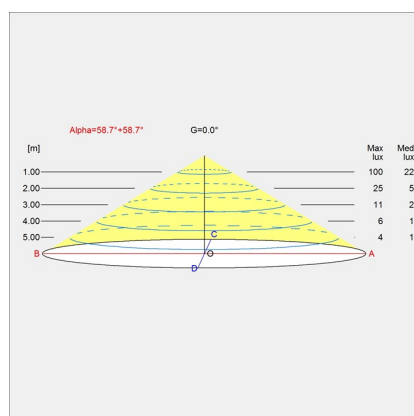
Union nut and finger screw in untreated brass which will patinate.
Pin solution available for 16.1 IN and 11.0 IN available upon request. For the E-socket product variants, bulbs are not included.
LED light source is part of the product.

AJ OXFORD TABLE LAMP

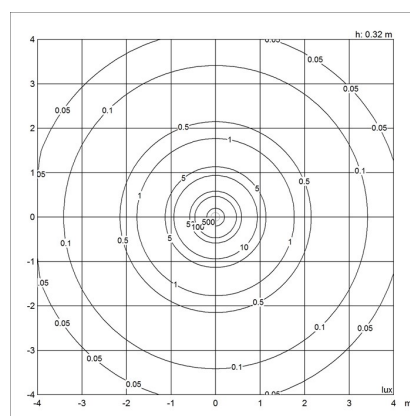
Designed by Arne Jacobsen

Light distribution diagrams

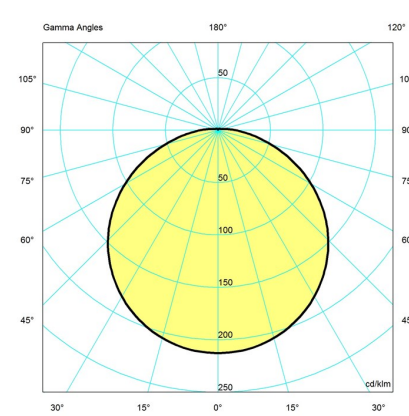
CARTESIAN



ISOLUX



POLAR



Variant Options

For particular variant options, please check our online Product Variants Configurator on the product detail page.

VARIANT NO.	LIGHT SOURCE	VOLTAGE/FRQ	LUMEN	FEATURES	CABLE
5744908670	1x20W G16.5/candelabra		355	-	-
5744908722	1x20W G16.5/candelabra		324	-	-
5744908777	1x20W G16.5/candelabra		355	-	-
5744908829	1x20W G16.5/candelabra		324	-	-
5744908874	1x20W G16.5/candelabra		355	-	-

Variants

VARIANT NUMBER	COLOR, RAL	W / H / L (IN) / W (LB)
5744908670	BLACK, 314	8.7 / 16.3 / 8.7 IN / 2.2 LB
5744908722	BLACK, 314	8.7 / 16.3 / 8.7 IN / 2.6 LB
5744908777	BLACK, 314	8.7 / 11.2 / 8.7 IN / 2.1 LB
5744908829	BLACK, 314	8.7 / 11.2 / 8.7 IN / 2.5 LB
5744908874	BLACK, 314	8.7 / 16.1 / 8.7 IN / 1.9 LB