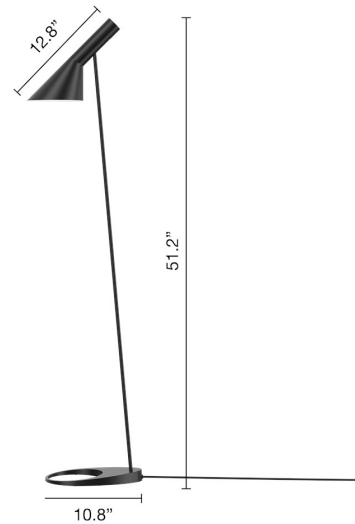

AJ FLOOR LAMP

Designed by Arne Jacobsen



Technical specifications

Materials

Base: Die cast zinc. Shade: Spun steel. Stem: Steel.

Finishes

White, Black, Pale Petroleum, Warm Sand, Soft Lemon, Electric Orange, Dusty Blue, Warm Grey, Stainless Steel Polished.

Mounting

9' Cord with plug.

On/off foot switch provided. For mounting instructions, see download section on the product detail page.

Information

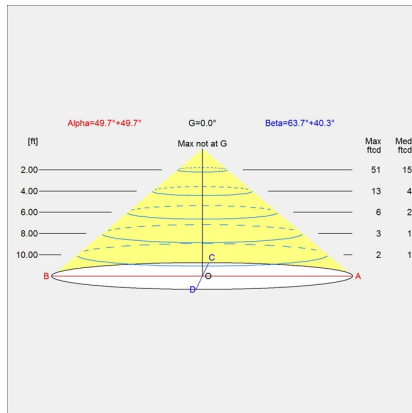
Please note that the brass surfaces are untreated. This means that the surface will change over time and develop a patina. For the E-socket product variants, bulbs are not included. LED light source is part of the product.

AJ FLOOR LAMP

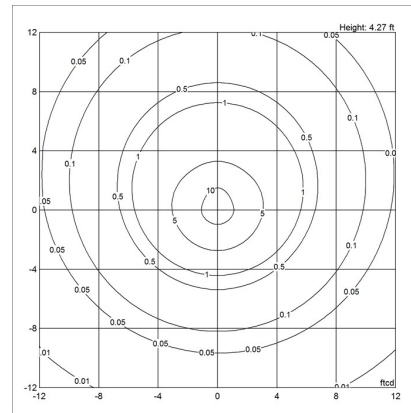
Designed by Arne Jacobsen

Light distribution diagrams

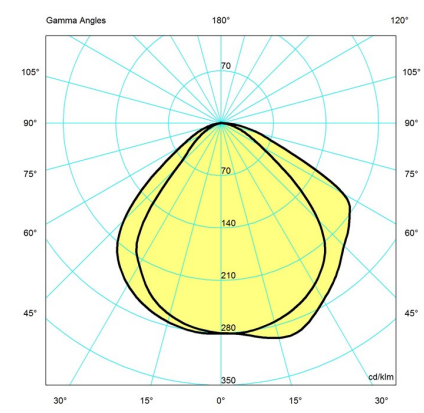
CARTESIAN



ISOLUX



POLAR



Variant Options

For particular variant options, please check our online Product Variants Configurator on the product detail page.

VARIANT NO.	LIGHT SOURCE	VOLTAGE/FRQ	LUMEN	FEATURES	CABLE
5744905916	1x10W E26		506	-	White cord
5744905929	1x10W E26		506	-	Black cord
5744906009	1x10W E26		506	-	Black cord
5744909462	1x10W E26		506	-	White cord
5744909475	1x10W E26		506	-	White cord
5744909488	1x10W E26		506	-	White cord
5744909491	1x10W E26		506	-	Black cord
5744909501	1x10W E26		506	-	Black cord
5744915113	1x15W A-19/medium	120V	506	-	Black cord

AJ FLOOR LAMP

Designed by Arne Jacobsen

Variants

VARIANT NUMBER	COLOR, RAL	W / H / L (IN) / W (LB)
5744905916	WHT, 024	10.8 / 51.2 / - IN / 7.5 LB
5744905929	BLACK, 314	10.8 / 51.2 / - IN / 7.5 LB
5744906009	PALE PETROLEUM, 447	10.8 / 51.2 / - IN / 7.6 LB
5744909462	ELECTRIC ORANGE	10.8 / 51.2 / - IN / 7.6 LB
5744909475	SOFT LEMON	10.8 / 51.2 / - IN / 7.6 LB
5744909488	WARM SAND	10.8 / 51.2 / - IN / 7.6 LB
5744909491	DUSTY BLUE	10.8 / 51.2 / - IN / 7.6 LB
5744909501	WARM GREY	10.8 / 51.2 / - IN / 7.6 LB
5744915113	STAINL STEEL POLISH, 957	10.8 / 51.2 / - IN / 8.0 LB