

YUH FLOOR LAMP

Yuh Floor Lamp - 5744162681

The fixture primarily provides glare-free downward directed light. The angle of the shade can be adjusted to optimize light distribution. A slim opening in the top of the shade provides soft, ambient upward illumination. A mechanical system provides great freedom of movement, so the light can always be set in the ideal position in the workspace, living room etc. Build-in LED technology provides a high quality of light with stepless dimming at 15 to 100%. Timer function to automatically turn off the light after amount of time, selectable between off/4 hours/8 hours. Function to set a fixed light level each time the lamp is connected to main power. In the upper part of the tube a button acts as switch and dimmer.



GamFratesi

GamFratesi's design take their creative drive from a fusion of tradition and innovation in an experimental approach to their chosen materials and techniques. Each with their own traditional background, Stine Gam and Enrico Fratesi draw on classic Danish furniture and craftsmanship as well as a classic Italian intellectual and conceptual approach.



Set location -
The Qvest



Set location - The Qvest

Product info

Information

A single push button located at the lamp will control the functions on/off and dimming. Turn on/off the light with light fading in/out. Stepless dim of the light to a suitable level between 15 and 100%. Timer function to automatically turn off the light after amount of time, selectable between off/4 hours/8 hours. Function to set a fixed light level each time the lamp is connected to main power. LED driver fitted externally on cord. This product is fitted with an integrated energy-saving LED light source. Should you wish to replace it, please contact Louis Poulsen so we can help you purchase the correct LED Replacement Kit. Please note that LED-replacement should always be carried out by an authorised electrician.

Mounting

2.5 m. Cord with plug.
 Stepless dimming and on/off switch provided.
 Optional auto shut-off timer function after 4 hours or 8 hours.
 LED driver: separate, plugs into power outlet.

Finish

<p>Black or White, matte wet painted. Brushed brass, lacquered. Nero Margiua marble, Carrara marble, white or black base.</p>

Materials

Shade: Die cast aluminium. Base: Die cast aluminium (wet painted) or brushed marble. Marble: Italian Nero Margiua or White Carrara. Stem: Extruded brass (wet painted or clear lacquered).

Sizes and weights

width x Height x Length (mm) | 240 x 1400 x 240 Max 11.7 kg

Class

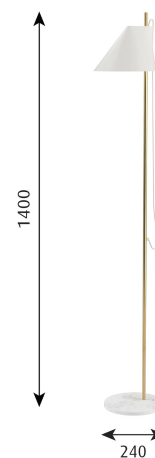
Ingress protection IP20. Electric shock protection II w/o ground.

Light source

LED 2700K 10W
Lumen: 446

Information

A single push button located at the lamp will control the functions on/off and dimming. Turn on/off the light with light fading in/out. Stepless dim of the light to a suitable level between 15 and 100%. Timer function to automatically turn off the light after amount of time, selectable between off/4 hours/8 hours. Function to set a fixed light level each time the lamp is connected to main power. LED driver fitted externally on cord. This product is fitted with an integrated energy-saving LED light source. Should you wish to replace it, please contact Louis Poulsen so we can help you purchase the correct LED Replacement Kit. Please note that LED-replacement should always be carried out by an authorised electrician.



Related products



AJ Table Lamp



AJ Floor Lamp



PH 80 Floor Lamp



Panthella Floor Lamp



AJ Wall Lamp



NJP Table Lamp



NJP Floor Lamp



VL 38 Wall Lamp



VL 38 Floor Lamp



VL 38 Table Lamp



Yuh Table Lamp



AJ Mini Table Lamp



VL Studio Table/Floor Lamp



Keglen Floor Lamp



Moonsetter



AJ Oxford Table Lamp



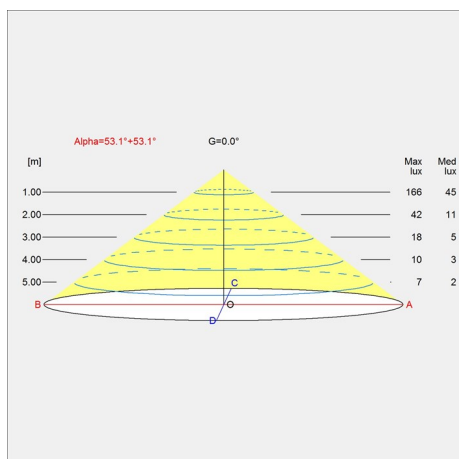
FJ Elements Table Lamp



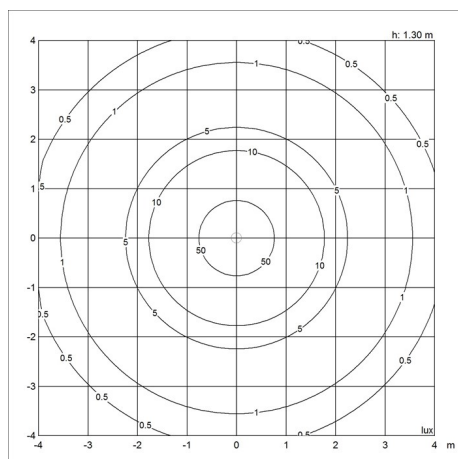
FJ Elements Pendant

Light distribution diagrams

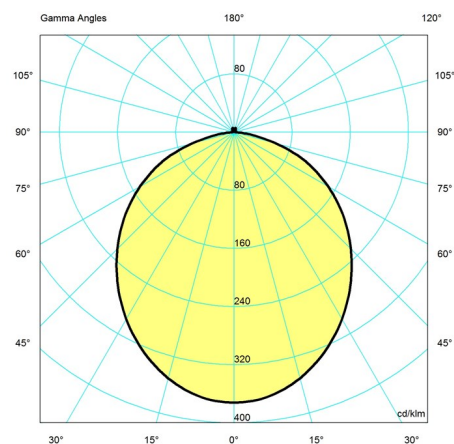
Cartesian



Isolux



Polar



Spare parts & accessories

Product	Variant number
Adapter 12V black	5744164867
Adapter 12V white	5744164870

Data specifications

Colour	Brass/white	Length	240
Width	240	Height	1400
Built-in Height	-	IP class	20
Class	II	Net Weight	9.4
Standby (W)	-	Power Factor (P = 100 % / P = 50 %)	-
Inrush Current	-	Light source	LED 2700K 10W
Kelvin	2700	CRI	90
SDCM	3	Lumen	446

Yuh Floor Lamp

Watt	10
Light control	-
UGR Transversal / Axial	20.9/20.9
Driver life	-

Efficacy	45
Min. Dim Level (%)	-
L80B50 (hours)	>100.000