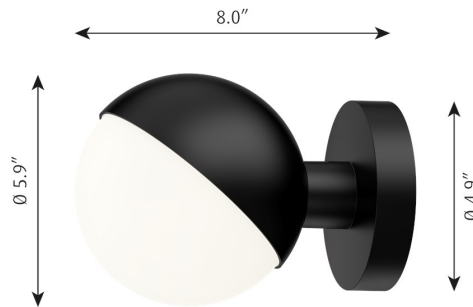


## VL STUDIO WALL

Designed by Vilhelm Lauritzen

---



---

### Description

The fixture emits a glare-free, diffused light. The triple-layered opal glass provides pleasant and uniform illumination of the area around the fixture. The lampshade can be tilted 90 degrees to the right or left, which allows for flexible light distribution.

---

### Variants

VARIANT NUMBER	COLOR, RAL	W / H / L (IN) / W (LB)
5743914652	BLACK	5.9 / 5.9 / 7.9 IN / 1.9 LB
5743914704	LACQUERED BRASS	5.9 / 5.9 / 7.9 IN / 2.9 LB

---

### Materials & Finishes

#### MATERIALS

Glass: Hand-blown, triple-layered opal, glossy.

Housing: Deep-drawn aluminum or brass.

Wall box: Die-cast aluminum or forged brass. Please note that the untreated brass will patinate.

#### FINISHES

matte black, wet painted or brushed brass with fine hairlines. White opal glass, glossy. Clear lacquered brass.

---

# louis poulsen

## Mounting

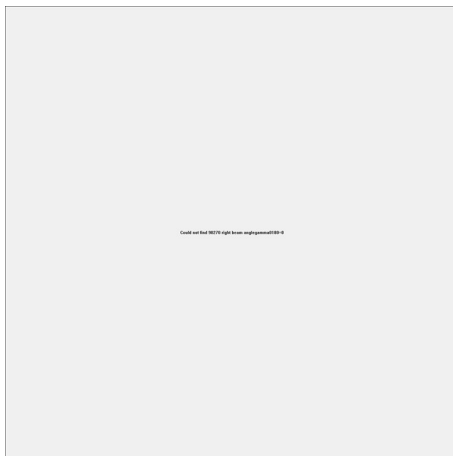
Surface: Mounted directly to finished surface over a 4" octagonal junction-box. Glass can be unscrewed to change the light source. No switch is on the luminaire; remote switch is required. For mounting instructions, see download section on the product detail page.

## Information

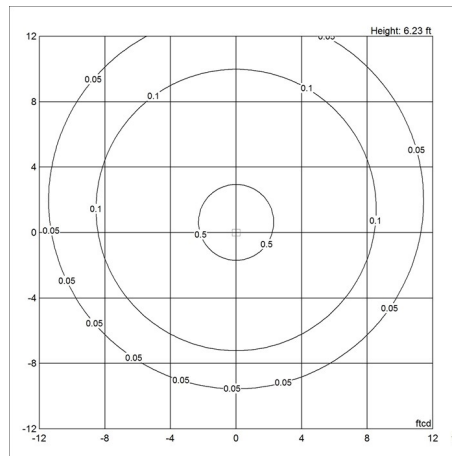
The adjustable lampshade can be tilted 90 degrees to the right or left. The untreated brass will change over time and develop a patina. For the E-socket product variants, bulbs are not included. LED light source is part of the product.

## Light distribution diagrams

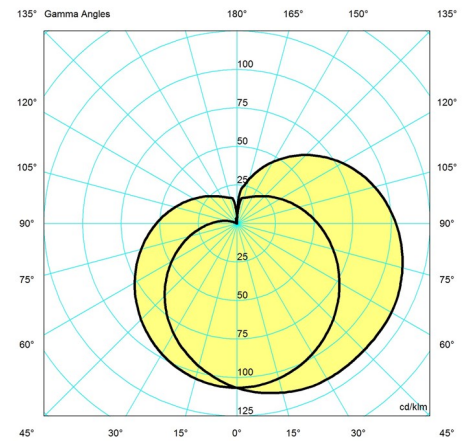
### CARTESIAN



### ISOLUX



### POLAR



## Variant Options

For particular variant options, please check our online Product Variants Configurator on the product detail page.

VARIANT NO.	LIGHT SOURCE	VOLTAGE/FRQ	LUMEN	FEATURES	CABLE
5743914652	1x5W G9	120V	165	-	Without cord
5743914704	1x5W G9	120V	165	-	Without cord