

SILVERBACK SUSPENDED

The fixture emits diffused light. The curved opal diffuser provides soft, pleasant, primarily downward directed room lighting. The metallised semitransparent rear side of the diffuser produces a halo effect and reflects light from the surroundings. The rounded white top completes the curve from the diffuser. The luminaire is suspended simple and elegant from its cord. A white pendant tube in the top of the housing ensures stability and balance in the luminaire.



KiBiSi

KiBiSi was founded in 2009. The company is a partnership between three architects/designers, and its name comprises the first letters from each of their individual companies that joined forces in the shared project.



Community School Gebhard



Toppan Printing Co., Ltd.

Product info

Environmental Product Specification

This product is compliant with the requirements contained in the European Directives, RoHS Directive 2011/65 and 2015/863. This product is designed so that 100% of the product can be disassembled and reused.

Information

For Switch-Dim, contact Louis Poulsen. For LED replacement kit please do contact Louis Poulsen. The innovation of the LED technology is in constant development. The specifications mentioned are based on present technology.

Mounting

Suspension type: 5x0.75mm² cord. Ceiling rose: Yes. Cord length 4m.

Finish

Ø 295: Top: ASA white structure. Shade: Opal and alu-metallised. Ø 440: Top: Aluminium powder coated white. Shade: Opal and alu-metallised.

Materials

Ø 295: Fixture body: Die cast aluminium powder coated white. Top: Injection moulded plastic white structure. Shade: Opal PMMA and semi-metallised PC. Ø 440: Fixture body: Die-stamped steel sheet, powder coated, white. Top: Die-stamped aluminium, powder coated white. Shade: Opal PMMA and semi-metallised PC.

Sizes and weights

width x Height x Length (mm) | 295 x 104 x 295 Max 5.2 kg | 440 x 246 x 440 Max 10.5 kg

Class

Protection class IP20, Insulation class I.

Specification notes

LED power consumption measured as system effect.

Light source

LED 3000K 9.8W
Lumen: 818

Information

For Switch-Dim, contact Louis Poulsen. For LED replacement kit please do contact Louis Poulsen. The innovation of the LED technology is in constant development. The specifications mentioned are based on present technology.

Related products

AJ Munkegaard Ceiling Lamp

LP Circle Suspended

Silverback Ceiling/Wall Lamp

LP Grand Surface Mounted

LP Grand Suspended

NJP Floor Lamp

LP Slim Round Suspended

Keglen Pendant

Keglen Wall Lamp

Tomoshi Portable Lamp

Above Pendant

Keglen Table Lamp

Product variants

Dimension	Light source	Lumen
Ø 295	LED 3000K 32W	2306
Ø 440	LED 3000K 9.8W	818

Product description

The product is a family of variants.
Suspended version.
Iconic design.
Two dimensions.
High quality finish acrylic front.
Semi-transparent metalized polycarbonate back.
Seamless snap between acrylic and polycarbonate part without any cover ring.
Mat white front with continuous curve from luminaire body.
Easy to maintain.

Mounting

Simple installation
Easy access to rear housing
Can be mounted on 4" octagonal junction box (US only)
Tool-less connectors between driver and power supply and LED board for simple replacement.

Light description

Cosine light distribution from acrylic diffused front.
Reflected light through semi-transparent metalized back part.
High luminance in center of diffuser fading towards outer diameter to reveal curvature in luminaire body.
Metalized part reflects surroundings.
Low glare.
Larger version uses high power LEDs with side emitting optics.
Smaller version uses high efficient mid power LEDs.
The Tc of each LEDs is managed efficiently and kept low.
Custom made LED boards ensure the perfect distribution of light in the front.
Efficient luminaire.
LED board is replaceable.
Dimmable.

Design

KiBiSi

Material

Shade front: high transference opal acrylic, 2mm (0.08") thick.
Shade back: metalized and translucent polycarbonate, 2mm (0.08") thick.
Housing: die-cast aluminium, 2.5mm (0.1") thick, powder coated white. (smaller version)
Housing: die stamped steel, 1.5mm (0.06") thick, powder coated white. (larger version)
LED available in 3000K or 4000K with CRI of 80.
Integral electronic constant current, class II driver for 120-277V operation and 0-10V dimming control. (USA only)
Canopy: 5.3" diameter x 0.9" tall cone of spun aluminum. (USA only)
Cable: white PVC coated, 12 ft. (USA)
Suspended from one high quality stainless steel aircraft cable

Weight

Min: 10.5 kg Max: 5.2 kg

Dimensions

Ø 295, Ø 440

Other functions

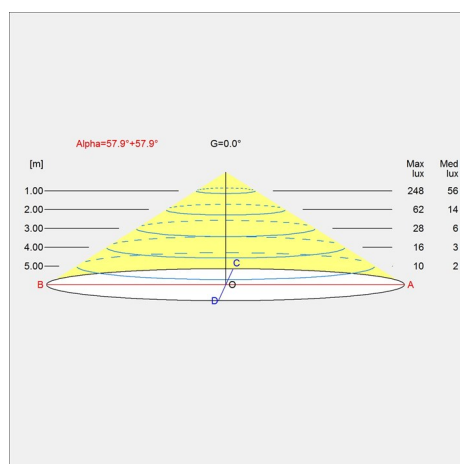
Programmable presence sensor (Europa)

Finish

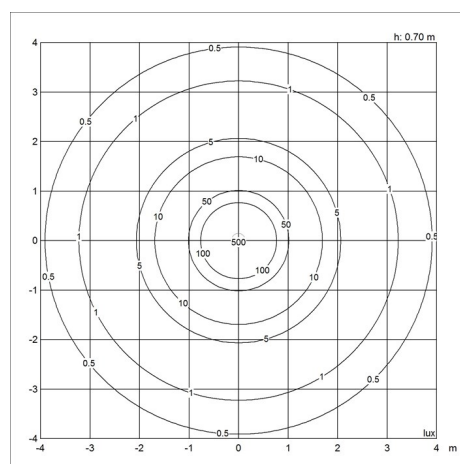
Opal

Light distribution diagrams

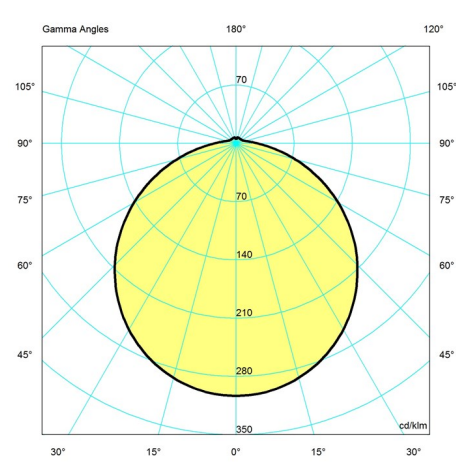
Cartesian



Isolux



Polar



Spare parts & accessories

Product

Silverback Ø295 PMMA shade

Silverback Ø440 PMMA shade

Variant number

5743157040

5743168712