

PH 4½-4 GLASS PENDANT

Designed by Poul Henningsen



Description

The fixture is designed based on the principle of a reflective three-shade system, which directs the majority of the light downwards. The shades are made of hand blown opal three-layer glass, which is glossy on top and sandblasted matte on the underside, giving a soft and uniform light distribution.

Variants

VARIANT NUMBER	COLOR, RAL	W / H / L (IN) / W (LB)
5741902381	HIGH LUSTRE CHROME PLATED, 900	17.7 / 16.1 / 17.7 IN / 9.5 LB

Materials & Finishes

MATERIALS

Shades: Hand blown white opal glass. Suspension: High lustre chrome plated, extruded aluminum.

FINISHES

High lustre chrome plated. White opal glass.

louis poulsen

Mounting

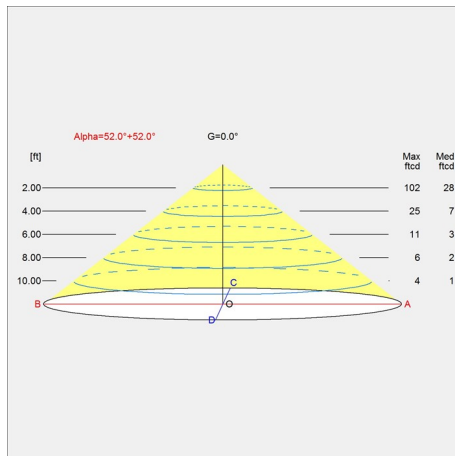
Canopy: White. Cord type: 3-conductor, 18 AWG black PVC power cord. Cord length: 12'. For mounting instructions, see download section on the product detail page.

Information

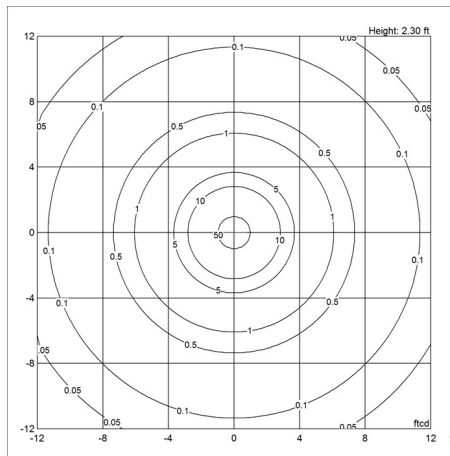
Electrical:
 System Wattage: 22W
 LED Wattage: 20 W
 Delivered lumens: 1,367
 Efficacy: 62.1 lm/W
 Certifications:
 cULus, Dry Location
 Protection class IP20
 Controllability: Phase dimming
 Actual performance dependent upon screw-base lamp used. For the E-socket product variants, bulbs are not included. LED light source is part of the product.

Light distribution diagrams

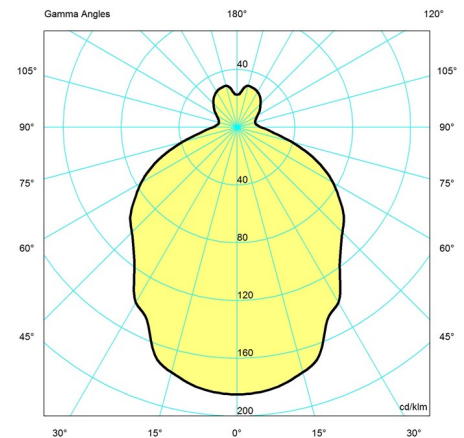
CARTESIAN



ISOLUX



POLAR



Variant Options

For particular variant options, please check our online Product Variants Configurator on the product detail page.

VARIANT NO.
5741902381

LIGHT SOURCE
1x22W A-21/medium

VOLTAGE/FRQ
120V

LUMEN
1367

FEATURES
-

CABLE
Black cord