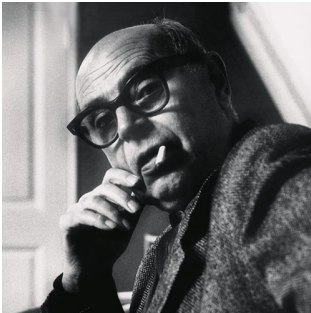


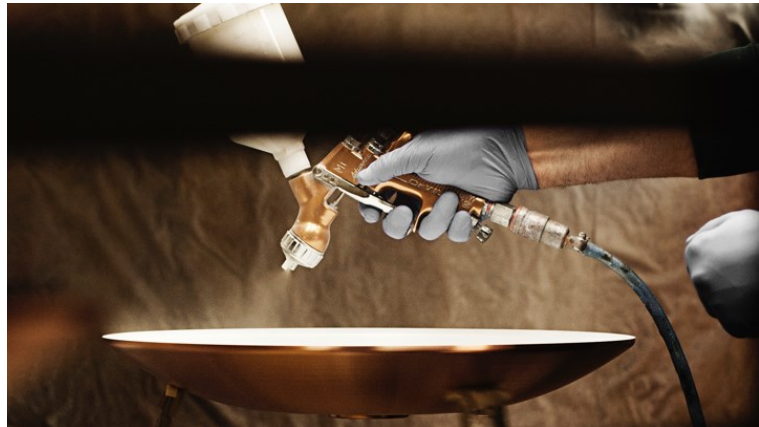
PH 3½-3 PENDANT

The fixture is designed based on the principle of a reflective three-shade system, which directs the majority of the light downwards. The shades are made of mouth-blown opal three-layer glass, which is glossy on top and sandblasted matt on the underside, giving a soft and uniform light distribution.



Poul Henningsen

The very influential Danish designer, architect, writer, and cultural critic, Poul Henningsen (1894-1967), has had a huge impact on Danish thinking and design. His legacy is an integrated part of Louis Poulsen's endeavor to shape light.



Product info

Mounting

3 m. Cord.
Canopy included.

Finish

Brass metallised, black metallised or high lustre chrome plated. White opal glass.

Materials

Shades: Mouth-blown white opal glass. Suspension: Drawn brass.

Sizes and weights

width x Height x Length (mm) | 330 x 307 x 330 Max 4.3 kg

Class

Ingress protection IP20. Electric shock protection II w/o ground.

Light source

1x70W E27



Related products



PH 3/2 Academy



PH 3½-3 Metal Pendant



PH 5



PH 4½-4 Pendant



PH 2/1 Stem Fitting



PH 4/3 Pendant



PH 3/2 Pendant



PH 2/1 Pendant



PH 5 Mini



PH 5 Retake



PH 3½-3 Pale Rose Brass Pendant



PH 5/5 Pendant

Product variants

Colour

- Black metallised
- Brass metallised
- High lustre chrome plated



PH 1/1 Chandelier Centenary Edition



PH 3/3 Aged Brass Opal Pendant

Cable type

- Black textile cord
- White textile cord

Light source

1x70W E27

Design

Poul Henningsen

Weight

Min: 4.1 kg Max: 4.3 kg

Finish

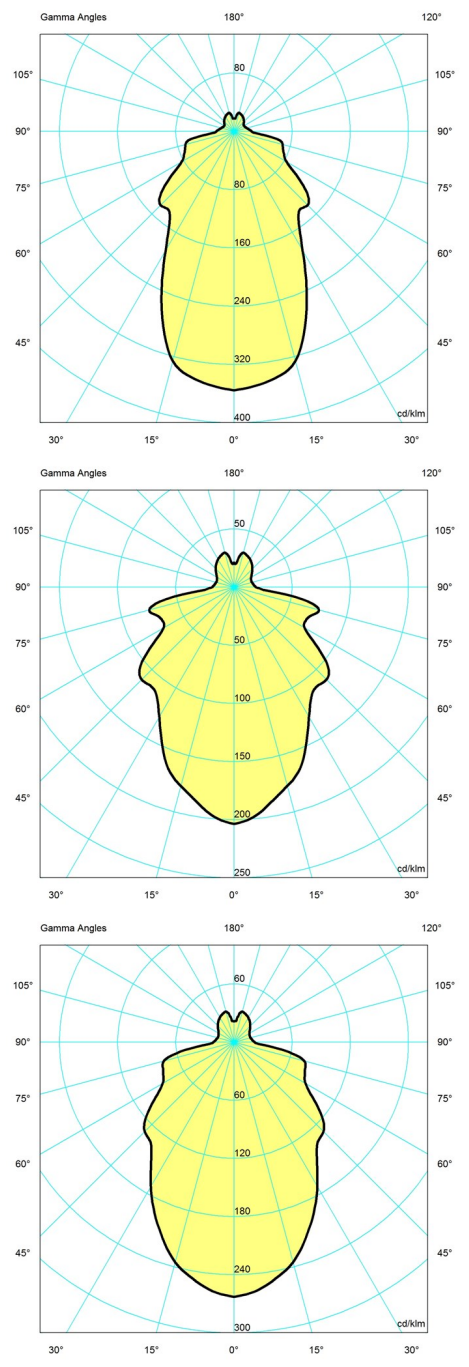
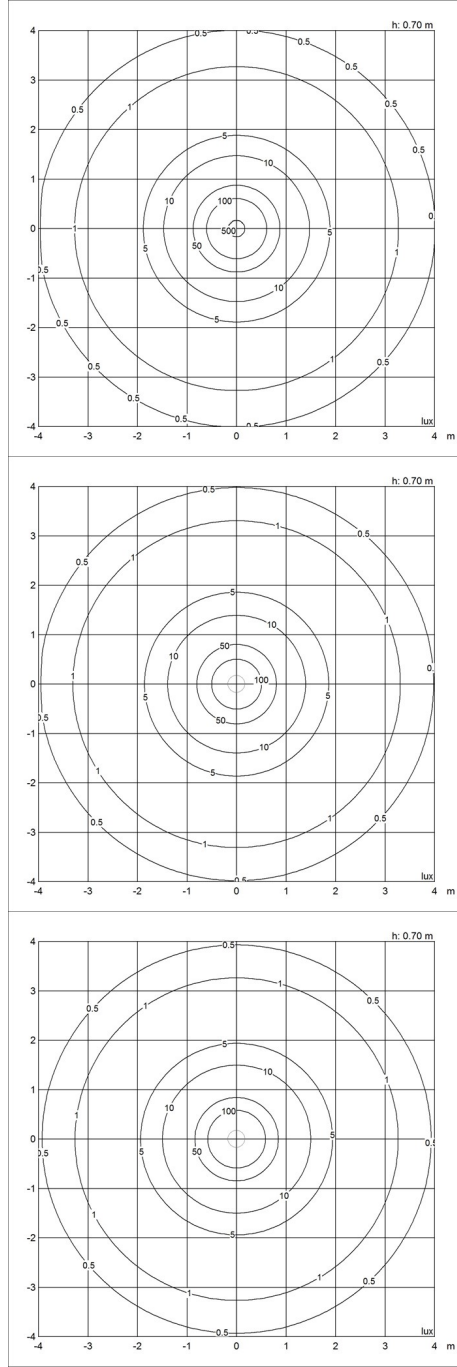
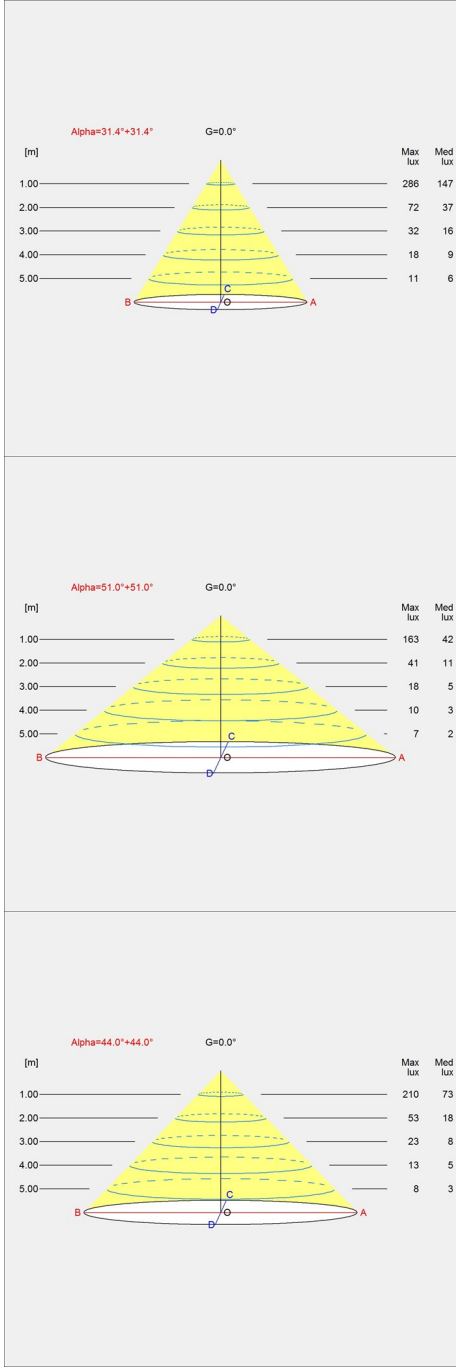
Black metallised, Brass metallised, High lustre chrome plated

Light distribution diagrams

Cartesian

Isolux

Polar



Spare parts & accessories

PH 3½-3 Pendant

Product	Variant number
Tophat 2-part canopy@ White	5749329034
Tophat 2-part canopy@ Black	5749329021
Finger screw MCP M4X15 lower	5744611145
PH 3½-3 / PH 3/3 Pendant lower shade glass Opal	5741094781
PH 3½-3 Pendant middle shade glass Opal	5741094794
PH 3½-3 Pendant top shade glass Opal	5741099346
PH 3½-3 Pendant middle shade glass Amber	5741099728
PH 3½-3 Pendant lower shade glass Amber	5741099731