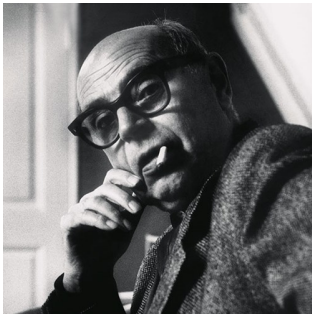


# PH 3½-2½ METAL TABLE LAMP

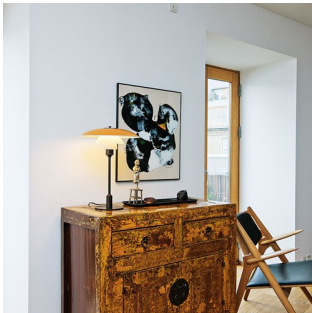
## PH 3½-2½ Metal Table Lamp - 5744164883

The louvre is 100% glare-free, with a design based on the principle of a reflective three-shade system, which directs most of the light downwards. The white painted lower surface of the top shade gently directs the light downwards. The two bottom mouth-blown opal glass shades ensure a large glare-free light surface, making optimum use of the light source to provide comfortable, functional lighting. The opal glass shades are shiny on the outside and matt on the inside.



## Poul Henningsen

The very influential Danish designer, architect, writer, and cultural critic, Poul Henningsen (1894-1967), has had a huge impact on Danish thinking and design. His legacy is an integrated part of Louis Poulsen's endeavor to shape light.



**Private  
Residence,  
Copenhagen**



**Fredericia Furniture Showroom**

## Product info

### Mounting

2.5 m. Cord. On/off switch provided.

### Finish

Red, Green, Yellow, and White, powder coated.

### Materials

Top shade: Spun aluminium. Other shades: Mouth-blown white opal glass. Shade holder: Silk matt brown brass.  
Stand: Silk matt brown brass.

### Sizes and weights

width x Height x Length (mm) | 330 x 450 x 330 Max 5.6 kg

### Class

Ingress protection IP20. Electric shock protection II w/o ground.

### Light source

1x60W 1x60W E14

## Related products

PH 3/2 Table Lamp

VL Studio Table/Floor Lamp

PH 2/2 Question Mark Pale  
Rose Table Lamp

PH 3/2 Pale Rose Table Lamp

PH 3/2 Aged Brass Table  
Lamp

PH 3/2 Aged Brass Opal Table  
Lamp

FJ Elements Table Lamp

PH 80 Table Lamp

PH 80 Portable Lamp

PH 3/2 Table Lamp Centenary  
Edition

PantheLLa 400 Table Lamp

PantheLLa 320 Table Lamp

AJ Table Lamp

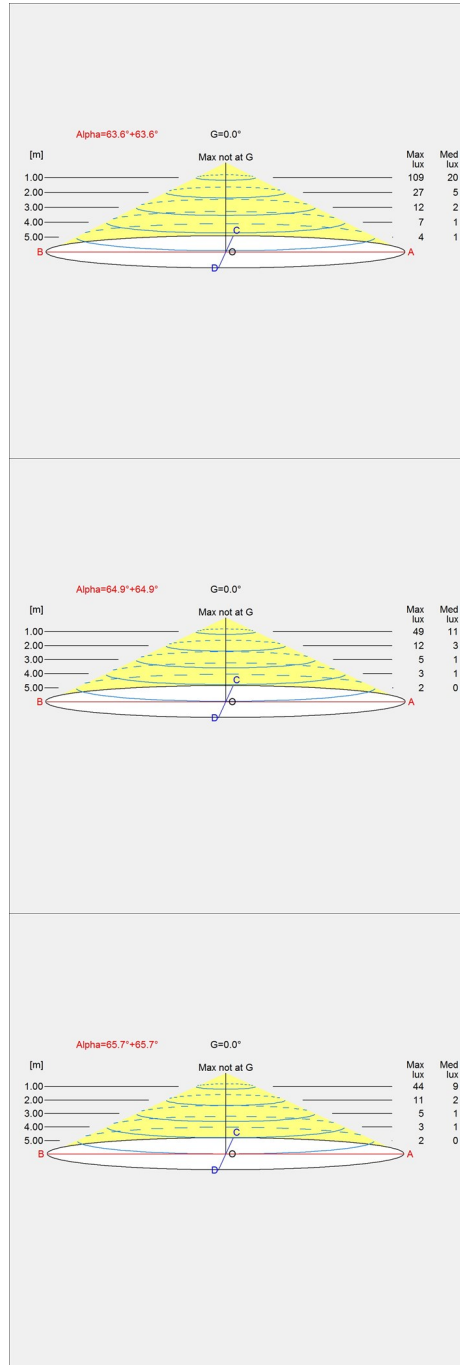
PH 4/3 Table Lamp

PH 4½-3½ Table Lamp

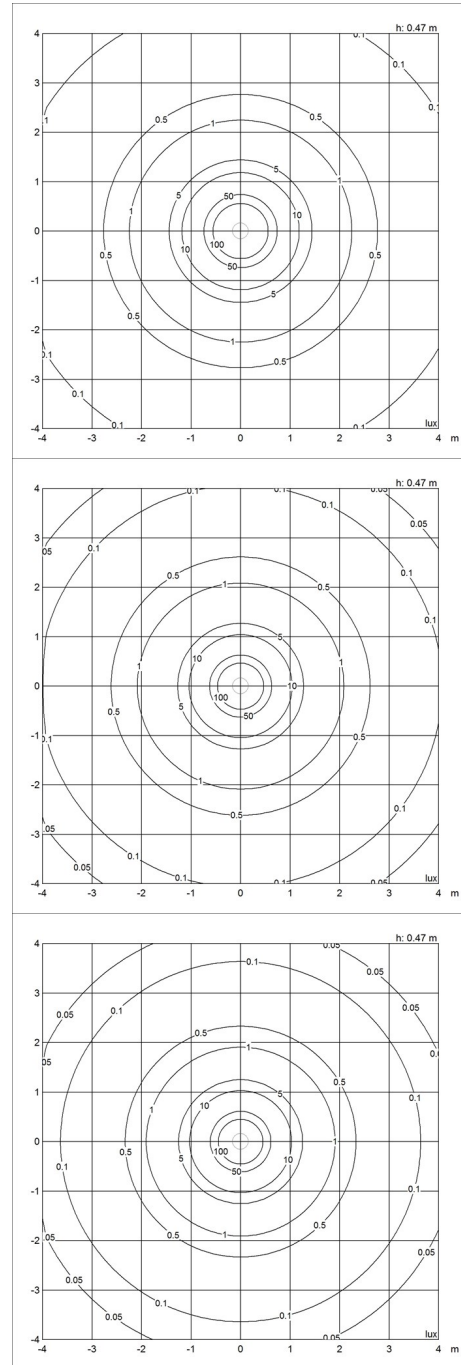
PH 3½-2½ Table Lamp

# Light distribution diagrams

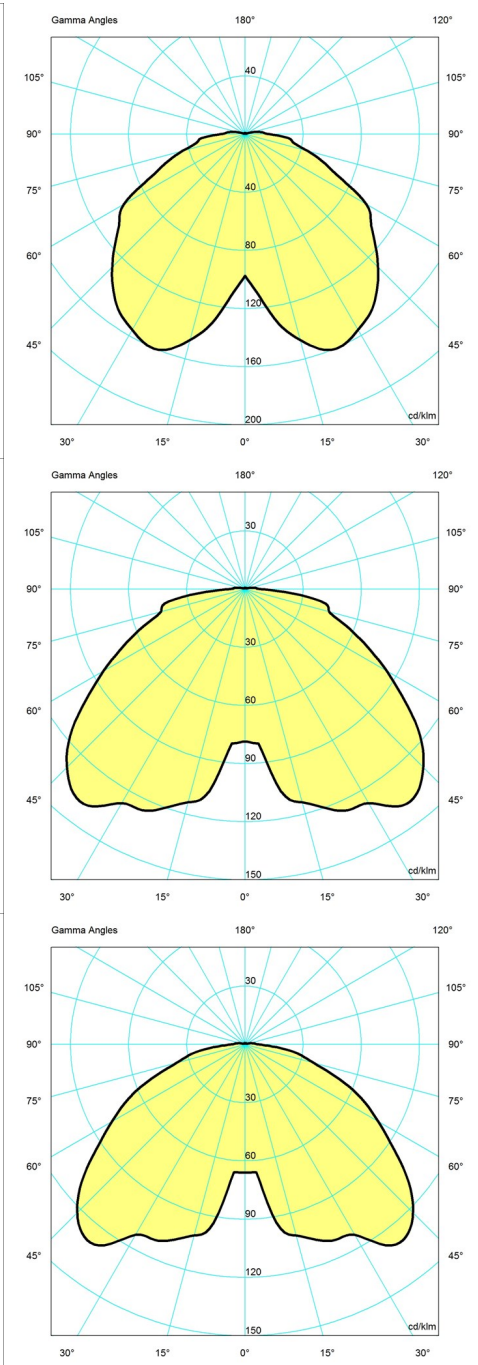
## Cartesian



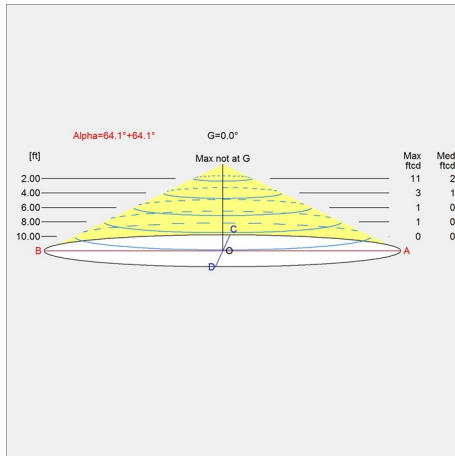
## Isolux



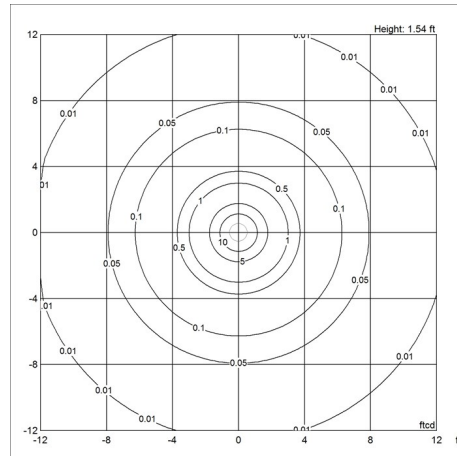
## Polar



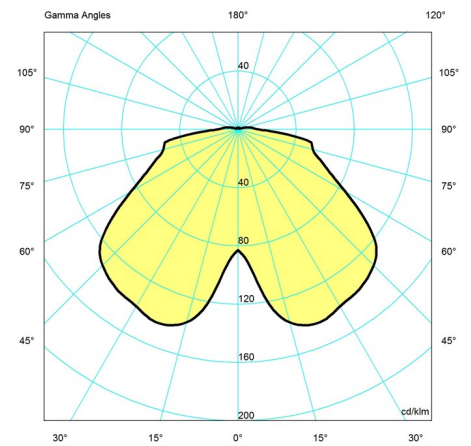
## Cartesian



## Isolux



## Polar



## Spare parts &amp; accessories

Product	Variant number
PH 3½-2½ Table/Floor Lamp middle shade glass Opal	5744162241
PH 3½-2½ Table/Floor Lamp lower shade glass Opal	5744162254
PH 3½-3 / PH 3½-2½ Table/Floor Lamp top shade metal Red	5741095434
PH 3½-3 / PH 3½-2½ Table/Floor Lamp top shade metal Green	5741095463
PH 3½-3 / PH 3½-2½ Table/Floor Lamp top shade metal White	5741095492
PH 3½-3 / PH 3½-2½ Table/Floor Lamp top shade metal Yellow	5741095528
Finger screw OB M3X12 lower	5744611129
Finger screw OB M2X12 middle	5744611132
Finger screw M2X8 middle	5744611271
Finger screw M3X12 lower	5744611284

## Data specifications

Colour	Red (RAL RAL 3013 G: 25)	Length	330
Width	330	Height	450
Built-in Height	-	IP class	20
Class	II	Net Weight	5.6
Standby (W)	-	Power Factor (P = 100 % / P = 50 %)	-
Inrush Current	-	Light source	1x60W 1x60W E14
Kelvin	-	CRI	-
SDCM	-	Lumen	413

**PH 3½-2½ Metal Table Lamp**

Watt	<b>46</b>
Light control	-
UGR Transversal / Axial	<b>16.5/16.5</b>
Driver life	-

Efficacy	<b>9</b>
Min. Dim Level (%)	-
L80B50 (hours)	-