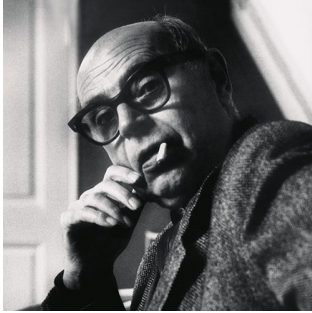


PH 3/2 PENDANT

The fixture is designed based on the principle of a reflective three-shade system, which directs the majority of the light downwards. The shades are made of mouth-blown opal three-layer glass, which is glossy on top and sandblasted matt on the underside, giving a soft and uniform light distribution.



Poul Henningsen

The very influential Danish designer, architect, writer, and cultural critic, Poul Henningsen (1894-1967), has had a huge impact on Danish thinking and design. His legacy is an integrated part of Louis Poulsen's endeavor to shape light.



Restaurant
Kadeau



American Heart Institute

Product info

Mounting

Suspension type: Cable 3x0,75mm². Canopy: Yes. Cable length: 3m.

Finish

Brass metallised, black metallised or high lustre chrome plated. White opal glass.

Materials

Shades: Mouth-blown white opal glass. Suspension: Brass metallised, black metallised or high lustre chrome plated, brass.

Sizes and weights

width x Height x Length (mm) | 285 x 242 x 285 Max 3.2 kg

Class

Ingress protection IP20. Electric shock protection I w. ground.

Specification notes

The innovation of light sources is ongoing. Consequently we only inform about the max. wattages. On www.louispoulsen.com we update a list of recommendable light sources.

Light source

1x75W E27

Related products

Doo-Wop Pendant

Moser Pendant

PH 2/1 Stem Fitting

PH 4/3 Pendant

PH 4½-4 Pendant

PH 5

Toldbod Glass Pendant

PH 3/2 Academy

PH 3½-3 Metal Pendant

PH 2/1 Pendant

PH 3½-3 Pendant

PH 5 Mini

VL Ring Crown 1 Pendant

PH 5 Retake

PH 3½-3 Pale Rose Brass Pendant

PH 3/3 Pendant

PH 5/5 Pendant

VL 56 Pendant

VL 45 Radiohus Pale Rose Pendant

PH 3/3 Aged Brass Opal Pendant

FJ Elements Pendant

PH 1/1 Chandelier Centenary Edition

Toldbod Pendant

Wohlert Pendant

VL 45 Radiohus Pendant

Product variants

Colour	Cable type	Light source
<input checked="" type="radio"/> Black metallised	Black textile cord	1x75W E27
<input type="radio"/> Brass metallised	White textile cord	
<input type="radio"/> High lustre chrome plated		

Product description

Suspended glass luminaire.
Iconic design.
Part of a wide family of multiple sizes.

Mounting

Can be mounted on 4" octagonal junction box (USA only)

Light description

Glare free, symmetric distribution.

Design

Poul Henningsen

Material

Shades: opal, mouth-blown glass, 2mm (0.08") thick, sandblasted interior for diffuse light distribution.
Stem of brass in high lustre or black chrome above glass.
Socket: Porcelain, medium base for A-19, frosted envelope lamps.
Socket position is adjustable to allow correct lamp position and fixture illumination.
Canopy: 5.3" diameter x 0.9" tall cone of spun aluminum.

Weight

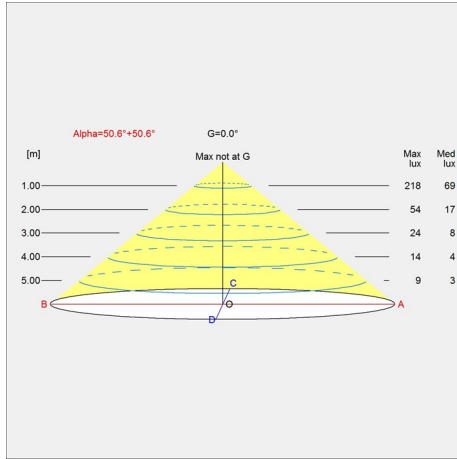
Min: 3.1 kg Max: 3.2 kg

Finish

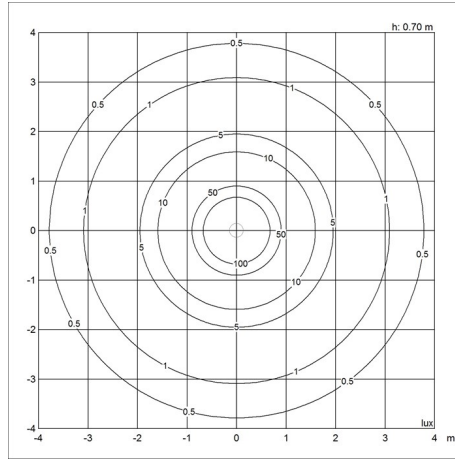
Black metallised, Brass metallised, High lustre chrome plated

Light distribution diagrams

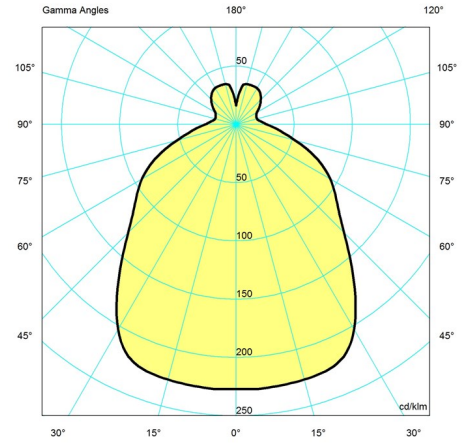
Cartesian



Isolux



Polar



Spare parts & accessories

Product	Variant number
Tophat 2-part canopy@ White	5749329034
Tophat 2-part canopy@ Black	5749329021
PH 3/2 Pendant top shade glass Opal	5741085091
PH 3/2 / PH 2/2 Table/Pendant middle shade Opal glass	5741481598
PH 3/2 / PH 2/2 Table/Pendant lower shade Opal glass	5741481608
Finger screw MCP M3X11 lower	5744611158
PH 3/2 Pendant E27 suspension High Lustre Chrome Plated	5741097539
PH 3/2 Pendant E27 suspension Black Metallised	5741097568
PH 3/2 Pendant E27 suspension Brass Metallised	5741100154
Finger screw M3X11 lower	5744611297