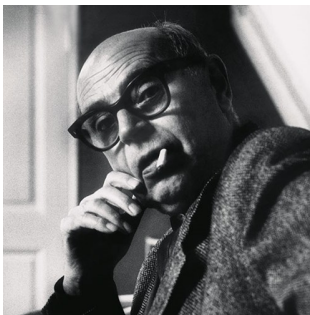


PH 2/1 PENDANT

PH 2/1 Pendant - 5741084908

The fixture is designed based on the principle of a reflective three-shade system, which directs the majority of the light downwards. The shades are made of mouth-blown opal three-layer glass, which is glossy on top and sandblasted matt on the underside, giving a soft and uniform light distribution.



Poul Henningsen

The very influential Danish designer, architect, writer, and cultural critic, Poul Henningsen (1894-1967), has had a huge impact on Danish thinking and design. His legacy is an integrated part of Louis Poulsen's endeavor to shape light.



Product info

Mounting

3 m. Cord.
 Canopy included.

Finish

Brass metallised, black metallised or high lustre chrome plated. White opal glass.

Materials

Shades: Mouth-blown white opal glass. Suspension: Brass metallised, black metallised or high lustre chrome plated, spun aluminium.

Sizes and weights

width x Height x Length (mm) | 200 x 140 x 200 Max 1.6 kg

Class

Ingress protection IP20. Electric shock protection II w/o ground.

Specification notes

The innovation of light sources is ongoing. Consequently we only inform about the max. wattages. On www.louispoulsen.com we update a list of recommendable light sources.

Light source

1x20W E14



Related products



PH 3/2 Academy



PH 3 1/2-3 Metal Pendant



PH 5



Doo-Wop Pendant



PH 4 1/2-4 Pendant



Moser Pendant



PH 2/1 Stem Fitting



PH 4/3 Pendant



Toldbod Pendant



Wohlert Pendant



Toldbod Glass Pendant



PH 3/2 Pendant



PH 3 1/2-3 Pendant



PH 5 Mini



VL Ring Crown 1 Pendant



VL 45 Radiohus Pendant



PH 5 Retake



PH 3 1/2-3 Pale Rose Brass Pendant



PH 5/5 Pendant



PH 3/3 Pendant



VL 56 Pendant



VL 45 Radiohus Pale Rose Pendant



PH 1/1 Chandelier Centenary Edition



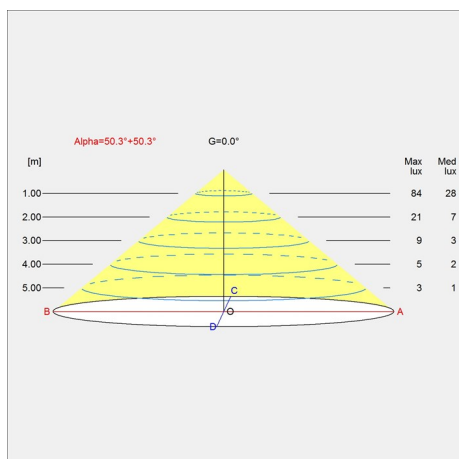
PH 3/3 Aged Brass Opal Pendant



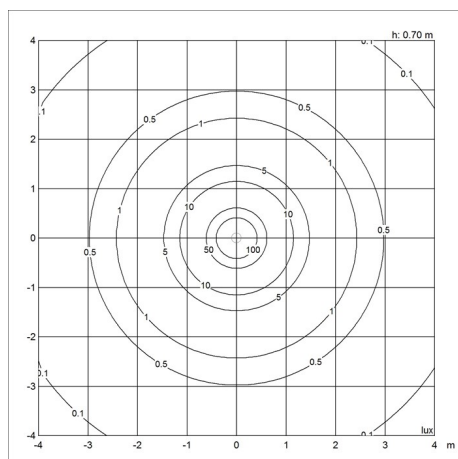
FJ Elements Pendant

Light distribution diagrams

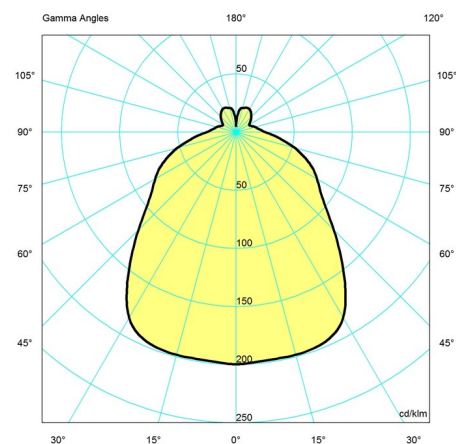
Cartesian



Isolux



Polar



Spare parts & accessories

Product	Variant number
Tophat 2-part canopy® White	5749329034
PH 2/1 / PH 1/1 Pendant/Table/Wall middle shade glass Opal	5741084940
PH 2/1 Pendant/Table/Wall lower shade glass Opal	5741084953
PH 2/1 Table/Pendant/Wall spring holder with springs	5741086333
Tophat 2-part canopy® Black	5749329021
PH 2/1 Pendant top shade glass Opal	5741084898

Data specifications

Colour	High lustre chrome plated	Length	200
Width	200	Height	140
Built-in Height	-	IP class	20
Class	II	Net Weight	1.6
Standby (W)	-	Power Factor (P = 100 % / P = 50 %)	-
Inrush Current	-	Light source	1x20W E14

PH 2/1 Pendant

Kelvin	-
SDCM	-
Watt	4.0
Light control	-
UGR Transversal / Axial	16.9/16.9
Driver life	-

CRI	-
Lumen	300
Efficacy	75
Min. Dim Level (%)	-
L80B50 (hours)	-