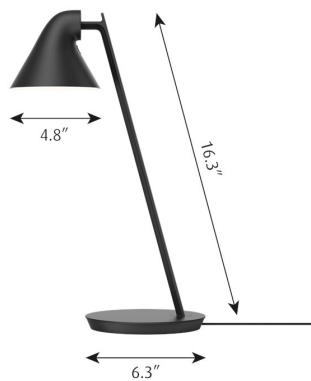


NJP MINI

Designed by nendo



Description

The fixture emits a softly diffused, downwardly directed, glare-free light. It fades in at a fixed light level when switched on and fades out when switched off. The timer function can be used to switch it off automatically after either four or eight hours. The fixture provides a broad light distribution for its relatively small size. The shade's white-painted interior helps to comfortably reflect the light. The stepless dimmer allows the light to be adjusted to a suitable level between 15 and 100%. The arm has a stationary angle of 15°, and it can rotate 342° around the base. The head can be tilted and rotated to direct the light.

Variants

VARIANT NUMBER	COLOR, RAL	W / H / L (IN) / W (LB)
5744168122	BLK, 617	6.3 / 16.3 / 6.3 IN / 6.4 LB
5744168135	WHT, 062	6.3 / 16.3 / 6.3 IN / 6.4 LB
5744168148	LIGHT ALU GREY, T06	6.3 / 16.3 / 6.3 IN / 6.4 LB
5744168151	BROWN ROSE	6.3 / 16.3 / 6.3 IN / 6.4 LB
5744168164	SOFT PINK	6.3 / 16.3 / 6.3 IN / 6.4 LB
5744168177	TAUPE	6.3 / 16.3 / 6.3 IN / 6.4 LB
5744168180	PETROL BLUE	6.3 / 16.3 / 6.3 IN / 6.4 LB

Materials & Finishes

MATERIALS

Base: Steel. Arm and lamp head: Aluminum.

louis poulsen

FINISHES

White, black, light aluminum gray, rose brown, soft pink, petrol blue, or taupe. Powder-coated.

Mounting

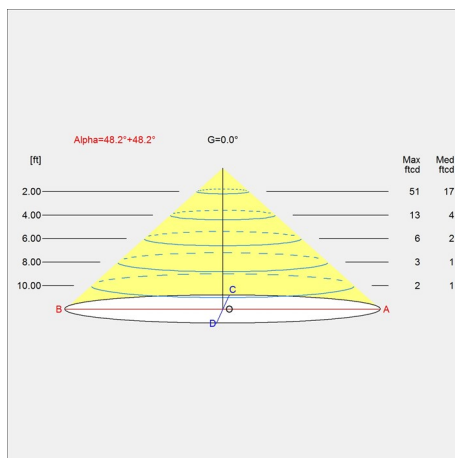
Cord type: White (White and soft pink finish), black (other finishes). Cord length: 8'. Switch: High/low/off button on the fixture head. LED driver: Separate, plugs into power outlet. Optional auto shut-off timer function after 4 hours or 8 hours. For mounting instructions, see download section on the product detail page.

Information

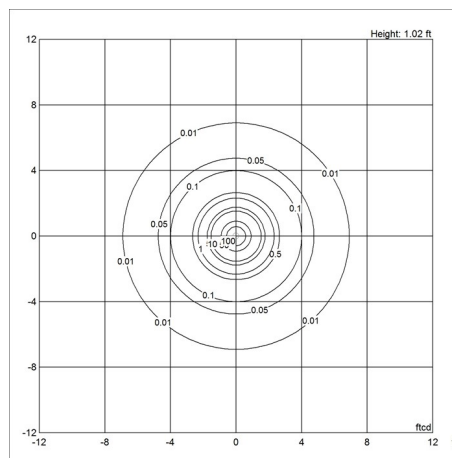
The arm has a stationary angle of 15°. Head can tilt and rotate. The arm can rotate 342° around the base. A single push button located at the lamp head controls on/off and dimming. Light turns on/off with light fading in/out. Stepless dimming of the light to a suitable level between 15 and 100%. Timer function to automatically turn off the light after a period of time, selectable between 4 hours or 8 hours. Function to set a fixed brightness level each time the lamp is connected to main power. For the E-socket product variants, bulbs are not included. LED light source is part of the product.

Light distribution diagrams

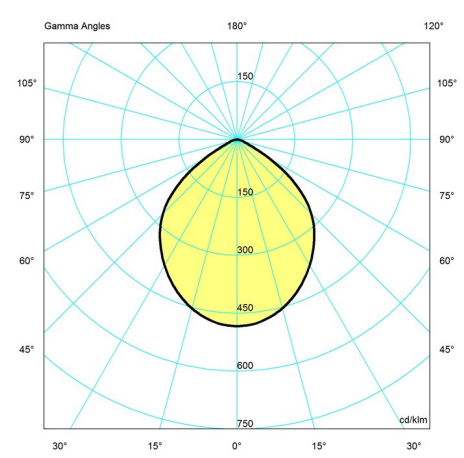
CARTESIAN



ISOLUX



POLAR



Variant Options

For particular variant options, please check our online Product Variants Configurator on the product detail page.

VARIANT NO.
5744168122

LIGHT SOURCE
LED 2700K 10W

VOLTAGE/FRQ
-

LUMEN
418

FEATURES
-

CABLE
Black cord

louis poulsen

5744168135	LED 2700K 10W	418	-	White cord
5744168148	LED 2700K 10W	418	-	Black cord
5744168151	LED 2700K 10W	418	-	Black cord
5744168164	LED 2700K 10W	418	-	White cord
5744168177	LED 2700K 10W	418	-	Black cord
5744168180	LED 2700K 10W	418	-	Black cord
