

LP SLIM ROUND SUSPENDED

The slim housing encircles a high-efficient acrylic diffuser emitting diffused primarily downward directed light. The slim body has a slight curvature and an inner curve which reduces contrast. The product family comes in a range of sizes and mounting options for a wide range of applications. Surface mounted and suspended versions have an indirect light component.



Set location -
KEA



Product info

Environmental Product Specification

This product is compliant with the requirements contained in the European Directives, RoHS Directive 2011/65 and 2015/863. This product is designed so that 100% of the product can be disassembled and reused.

Mounting

Suspension: Cord 2x0.75 mm², 5m. Driver integrated in canopy.

Finish

White or black, powder coated or clear lacquered, pickled aluminium.

Materials

Reflector: Die cast aluminium. Diffuser: Acrylic, opal. Installation lock: Aluminium.

Sizes and weights

Width x Height x Length (mm) | 248 x 147 x 248 Max 2.7 kg | 438 x 155 x 438 Max 9.7 kg | 679 x 155 x 679 Max 9.7 kg

Class

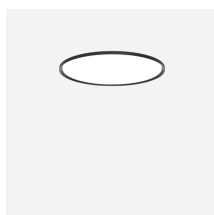
Ingress protection IP20. Electric shock protection I.

Light source

Lumen: 1232



Related products



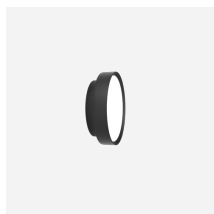
LP Slim Round Recessed



LP Slim Round Surface Mounted



LP Slim Round Semi Recessed



LP Slim Round Wall

Product variants

Dimension	Colour	Cable type	Light source	Lumen	Lighting control
Ø 250	● Black	Blk pl	-	1092	Dali
Ø 440	● Dark aluminium raw	Wht pl	LED 3000K 13W	1232	Dali kelvin adjustable
Ø 680	○ White		LED 3000K 25W	1254	
			LED 3000K 53W	1279	
			LED 4000K 13W	2404	
			LED 4000K 25W	2499	
			LED 4000K 53W	2659	
				2714	
				5861	
				6263	
				6389	

Product description

The circular product is a wide family of variants
 Minimalistic slim design
 Four different mounting options; Recessed, Semi-recessed, surface/wall and suspended
 Three dimensions
 A range of standard colour options
 On semi-recessed version optional "hairline" of light between luminaire and ceiling
 Indirect light component on surface
 Recessed unique designed for and simple installations on ceiling thickness up to 50mm
 On recessed variants bayonet clips secure fixture into frame with spring lock
 Easy to maintain

Mounting

EU:
 Ceiling thickness: 1–50 mm.
 Semi-recessed, surface and suspended versions driver is integral
 Looping: Approved, max 5x1.5mm²
 US:
 Mounting frame with four vertically adjustable brackets spaced equally to be installed after closing the ceiling
 Mounting pan available as an accessory for installation prior to closing the ceiling
 Simple installation into ceilings up to 1.3" thick
 Rough-in section available to ship separately from trim
 Junction box accommodates through wiring, with ½" conduit knock-outs
 Tool-less connector between power supply and driver
 Driver mounting plate snaps into junction box for simple installation and servicing
 Electrical assembly removable from below ceiling

Light description

The fixture emits diffuse light via a high-efficiency acrylic diffuser
 Micro prismatic option for low glare and UGR<19 possible
 The glowing front has an even luminance where each individual LED cannot be seen
 Using high efficient mid power LEDs the temperature of each LEDs is managed efficiently is kept low
 LED board is replaceable
 The LED can be selected in a range of standard CCTs
 Kelvin adjustable available for controlling Kelvin temperature using DALI type 8 (Europe)
 Very efficient luminaire
 Diffuser is off-set from housing with a small shadow gap
 On suspended version, reflected light from diffuser creates an indirect light on the top of luminaire

Design

Louis Poulsen A/S

Material

Luminaire housing: Aluminium, powder coated, semi-gloss
 Standard colours: White, Black and aluminium grey
 Ring: Die-cast aluminium
 Diffuser: Acrylic, opal
 Installation lock: aluminium
 Custom designed LED board with array of mid-power LEDs arranged to avoid "hotspots" on diffuser without needing heatsink nor cooling fan
 Available in 3000K or 4000K with CRI of 80 and CRI 90. and Kelvin Adjustable
 US SPECIFIC
 3500K standard variant available
 Electronic constant current, class II driver for 120-277V operation and 0-10V dimming control

Weight

Min: 2.33 kg Max: 9.694 kg

Dimensions

Ø 250, Ø 440, Ø 680

Other functions

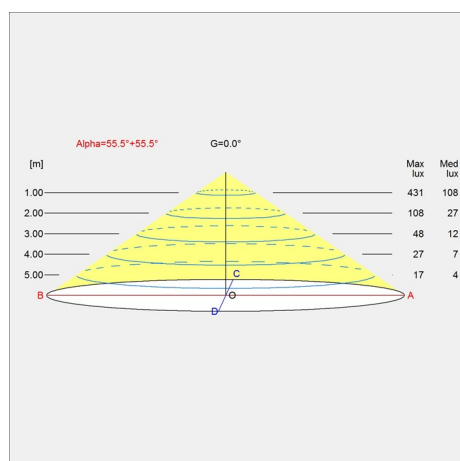
Option for High output >4000lm
 Option for micro prismatic front UGR<19
 Option for emergency 3H battery pack Recessed and semi-recessed (Europe)
 Can be ordered in custom colours

Finish

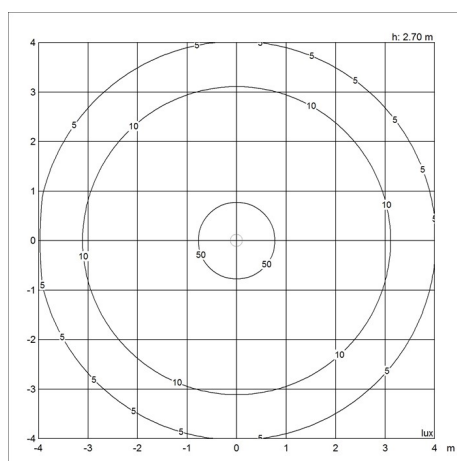
Black, Dark aluminium raw, White

Light distribution diagrams

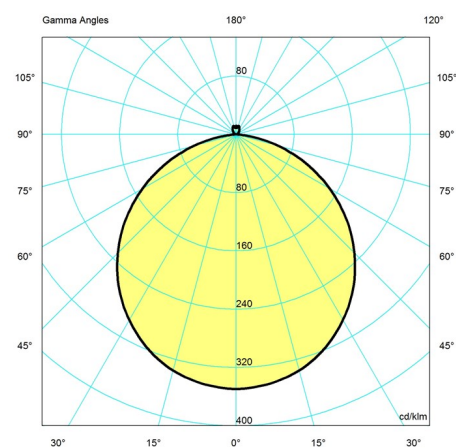
Cartesian



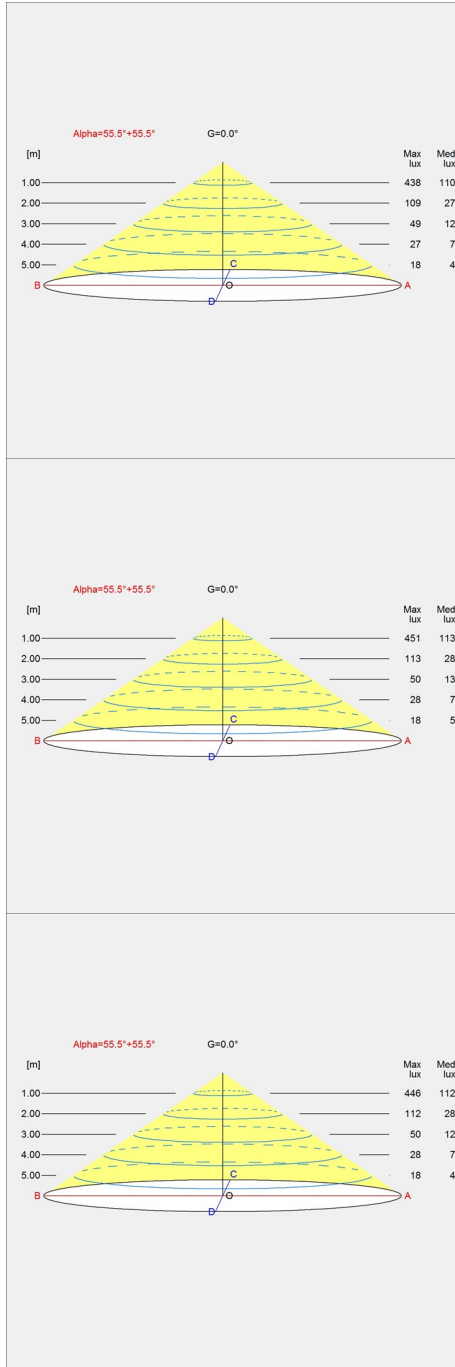
Isolux



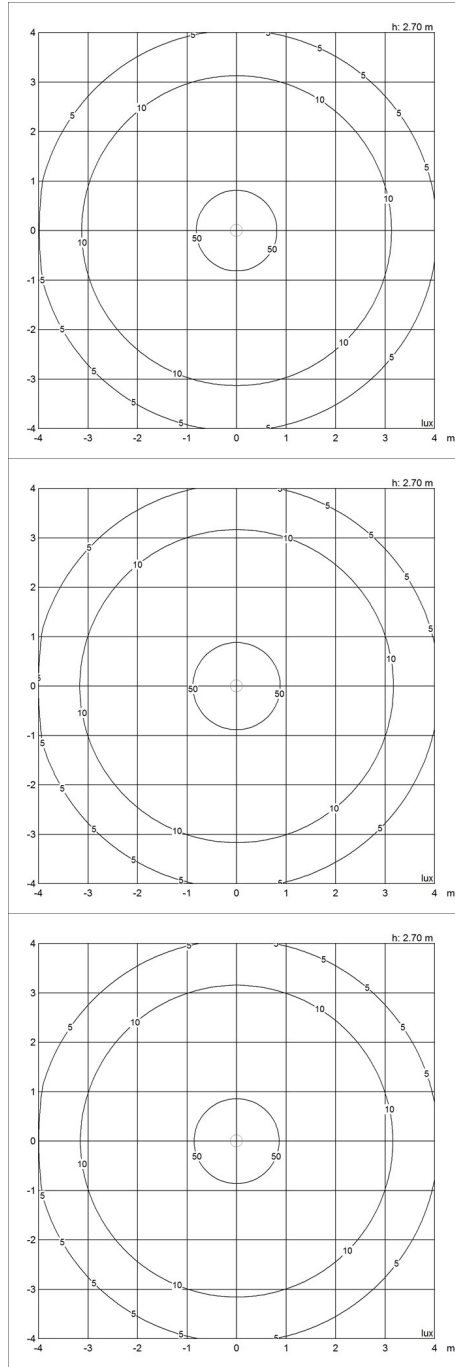
Polar



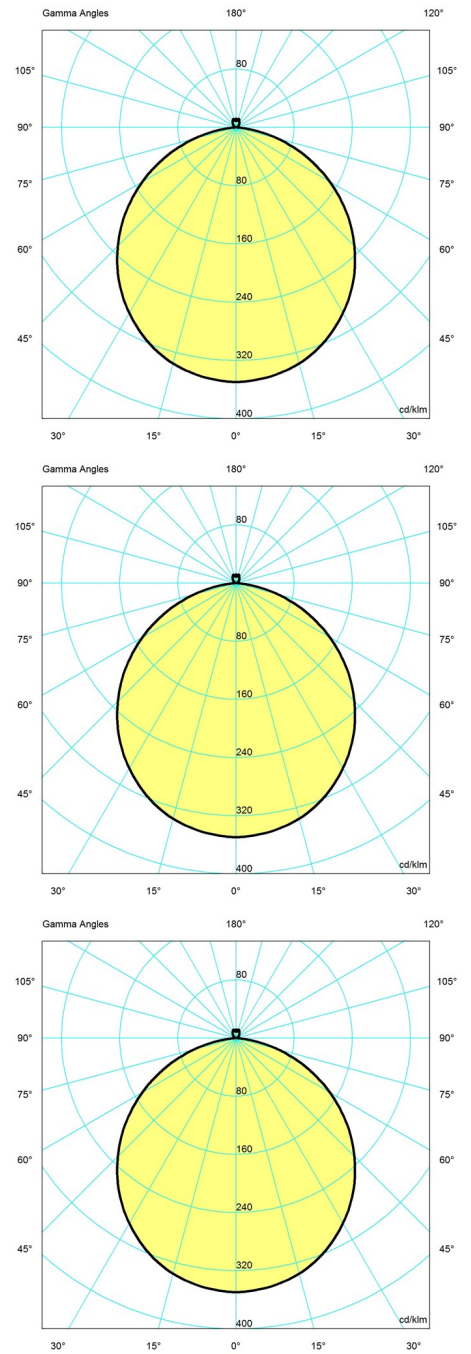
Cartesian



Isolux



Polar



Spare parts & accessories

Product

- Slim Round Ø680 diffuser opal
- Slim Round Ø250 diffuser opal
- Slim Round Ø440 diffuser opal

Variant number

- 5742584627
- 5742584737
- 5742584740

