

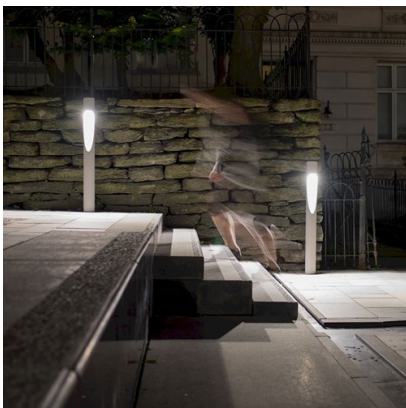
FLINDT BOLLARD

The bollard emits a wide downward directed glare-free light. The light source rests at the top inside the asymmetric carving on the side of the bollard, where the gradient serves as a reflector that softens the light and forms a pleasant organic shape on the ground below.



Christian Flindt

Christian Flindt (1972-) graduated with an MAA and MDD from Aarhus School of Architecture in 2002. He then started his own design company in 2003. Here, he placed high emphasis on communication between people, and his focus on this area finds expression in his approach to re-evaluating furniture.



Johanneskirke-trappen



Strandengen, Søndre Havn - Køge Kyst

Product info

Environmental Product Specification

This product is compliant with the requirements contained in the European Directives, RoHS Directive 2011/65 and 2015/863. This product is designed so that 100% of the product can be disassembled and reused.

Information

The bollard is equipped with 2 pcs LED's for maximizing the vertical light distribution. Delivered with integrated Surge Protection Device (SPD). Please contact Louis Poulsen for 2700K.

Mounting

Terminal block position: In the top. Looping: Approved, max. 5x6 mm². Driver position: In the top. Post dia. Ø115 mm. Post f/in ground installation: H: 1700mm incl. fixture head, in ground part 600 or 900 mm. Post w/anchorage unit: H: 1110/1410 mm incl. fixture head, in ground anchorage unit 310 mm. Post w/base plate for surface mounting: H 800/1100 mm incl. fixture head. Post dia.

Finish

Textured, powder coated paint in Natural Aluminum, Corten, or Black.

Materials

Top/Base plate: die-cast aluminum. Post: extruded aluminum. Diffusor: UV stabilized polycarbonate.

Sizes and weights

width x Height x Length (mm) | 115 x 1100 x 115 Max 22.9 kg | 115 x 800 x 115 Max 15.8 kg

Class

Ingress protection IP65. Electric shock protection I w. ground, II w/o ground. IK10.

Specification notes

The LED driver is integrated in the fixture head. All LED efficiency information are measured as system power.

Light source

LED 3000K 12W
Lumen: 671

Information

The bollard is equipped with 2 pcs LED's for maximizing the vertical light distribution. Delivered with integrated Surge Protection Device (SPD). Please contact Louis Poulsen for 2700K.

Related products



Albertslund Outdoor Wall Lamp



Nyhavn Outdoor Wall Lamp



AJ 50 Outdoor Wall Lamp



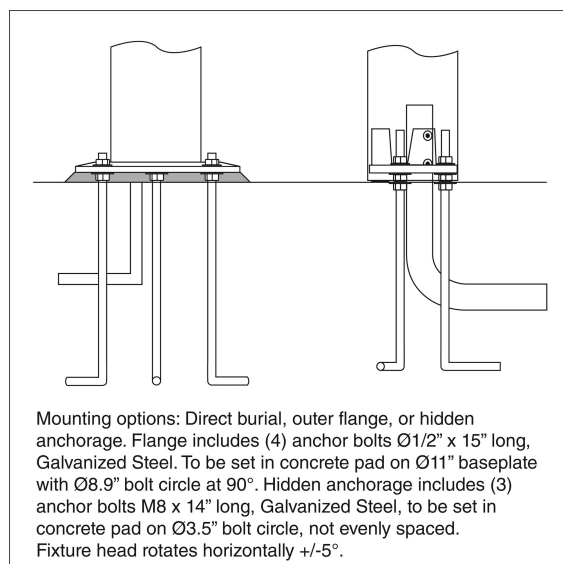
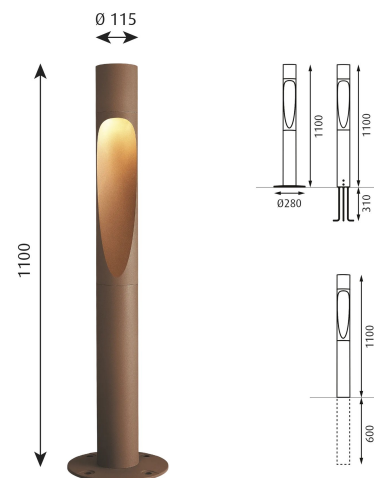
PH 4½-3 Outdoor Wall Lamp



Skot Bollard



Toldbod 155 Outdoor Wall Lamp





Toldbod 155 Bollard



Skot Wall Lamp



Bysted Bollard



AJ Eklipta Outdoor Wall Lamp



Flindt Wall Lamp



Flindt Garden Bollard



Bysted Garden Bollard



PH 3-2½ Bollard



PH 3-2½ Outdoor Wall Lamp



AJ Garden Bollard



Toldbod 220 Outdoor Wall Lamp



Toldbod 290 Post Lamp

Product variants

Dimension	Colour	Mounting	Light source	Lumen	Class	Lighting control
1100mm	● Aluminium colour texture	Base	LED 3000K 12W	576	I	Dac: dali + clo
Toldbod 290 Outdoor Wall Lamp	● Black texture	Post f/in-ground installation	LED 4000K 12W	593	II	Dpc: nightdim + clo
800mm	● Corten colour	Post w/anchorage unit		622		
		Post w/base plate		640		
				671		
				690		

Design

Christian Flindt

Weight

Min: 15.5 kg Max: 22.9 kg

Dimensions

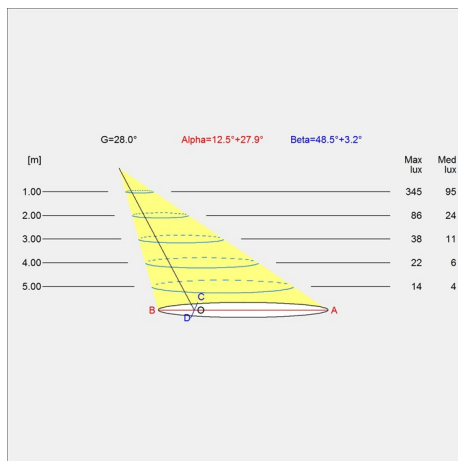
1100mm, 800mm

Finish

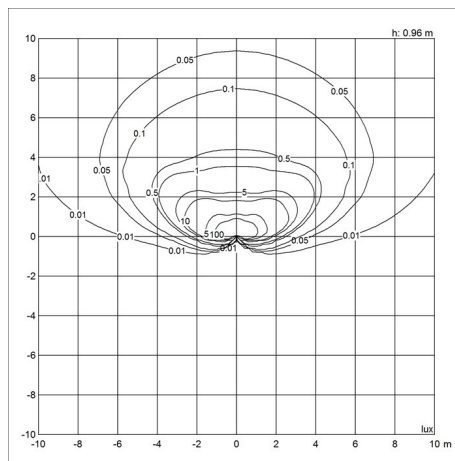
Aluminium colour texture, Black texture, Corten colour

Light distribution diagrams

Cartesian



Isolux



Polar

