

BYSTED GARDEN BOLLARD

Bysted Garden Bollard - 5747405714

The bollard has a round symmetrical design with four downward-angled rings reflecting the light in a soft downward direction. The rings provide a soft glow while the white underside ensures optimal light reflection and produces a characteristic symmetric light pattern on the ground.



Peter Bysted

Peter Bysted graduated as an architect and industrial designer from The Aarhus School of Architecture in 1978. Three years prior, in a contest arranged by Louis Poulsen concerning the illumination of quarters worthy of preservation, he won second prize with 'Bysted', a bollard made from cor-ten steel, suggesting his interest in lighting design even then.



Product info

Environmental Product Specification

This product is compliant with the requirements contained in the European Directives, RoHS Directive 2011/65 and 2015/863. This product is designed so that 100% of the product can be disassembled and reused.

Information

This product is fitted with an integrated energy-saving LED light source. Should you wish to replace it, please contact Louis Poulsen so we can help you purchase the correct LED Replacement Kit. Please note that LED-replacement should always be carried out by an authorised electrician.

Mounting

Bysted Garden is fitted with external adaptor, a maximum of 4 Bysted Garden bollards (14 W) can be run by one adaptor. The adaptor and installation cables must be bought separately. Maximum distance to last bollard is 30 m. Stem: Ø95 mm. Spike mounting: Put the bollard with the spike into the ground and let the cable run over the ground. The bollard is connected to the adaptor with the enclosed 5 m. cable and T-connector. Plug-and-Play. Anchor mounting: Anchor unit to be fixed in concrete. Use installation cables for in-ground installation for legal fixed installation. Looping is approved. Requires installation by certified electrician. Baseplate mounting: Mounting on a surface. Use installation cables for in-ground installation for legal fixed installation. Looping is approved. Requires installation by certified electrician.

Finish

Aluminium, Corten, or Black coloured. Textured surface, powder coated.

Materials

Top: Cast aluminium. Reflector part: Cast aluminium. Post: Extruded aluminium. Base plate, spike and anchor: Cast aluminium. Diffuser: PC

Sizes and weights

width x Height x Length (mm) | 95 x 534 x 132 Max 11.6 kg | 95 x 254 x 132 Max 8.9 kg

Class

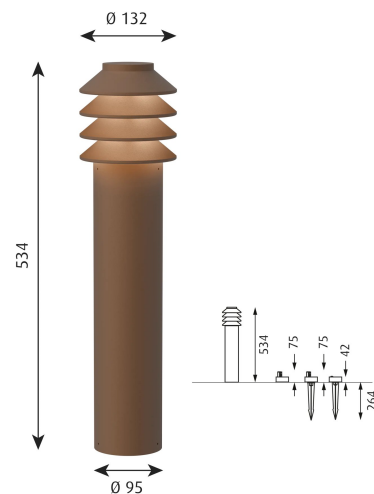
Ingress protection w/spike: IP 65 Ingress protection w/anchor: IP 65 (Head), IP44 (Anchor) Ingress protection w/base plate: IP 65 (Head), IP44 (Baseplate) Electric shock protection III IK06

Light source

LED 2700K 14W
Lumen: 247

Information

This product is fitted with an integrated energy-saving LED light source. Should you wish to replace it, please contact Louis Poulsen so we can help you purchase the correct LED Replacement Kit. Please note that LED-replacement should always be carried out by an authorised electrician.



Related products



Albertslund Outdoor Wall Lamp



Nyhavn Outdoor Wall Lamp



AJ 50 Outdoor Wall Lamp



PH 4½-3 Outdoor Wall Lamp



Skot Bollard



Toldbod 155 Outdoor Wall Lamp

Bysted Garden Bollard



Toldbod 155 Bollard



Skot Wall Lamp



Flindt Bollard



Bysted Bollard



AJ Eklipta Outdoor Wall Lamp



Flindt Wall Lamp



Flindt Garden Bollard



PH 3-2½ Bollard



PH 3-2½ Outdoor Wall Lamp



AJ Garden Bollard



Toldbod 220 Outdoor Wall Lamp



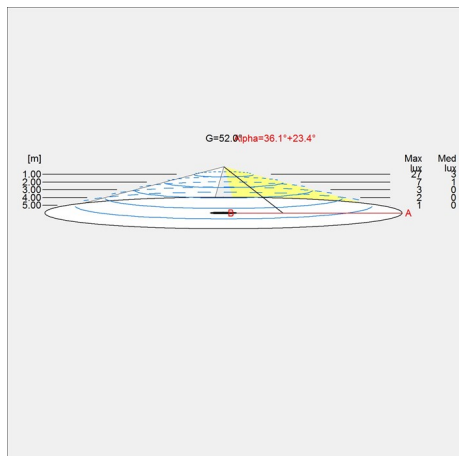
Toldbod 290 Post Lamp



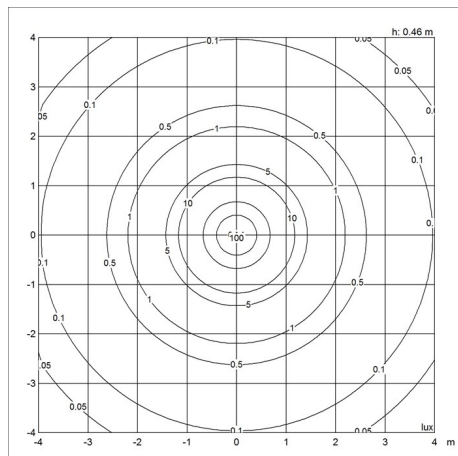
Toldbod 290 Outdoor Wall Lamp

Light distribution diagrams

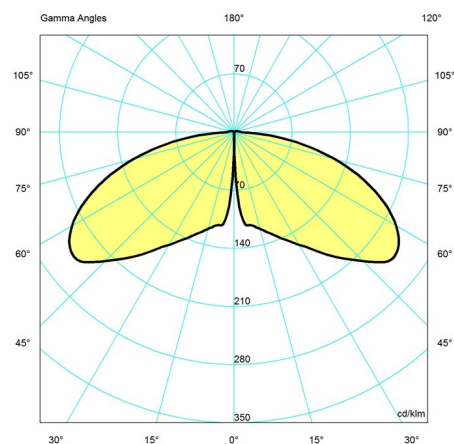
Cartesian



Isolux



Polar



Spare parts & accessories

| Product | Variant number |
|---|----------------|
| T-Connector for spike mounted garden bollards | 5747405303 |
| Garden Bollard 3 x 1 adapterbox | 5747407039 |
| Bysted Garden Bollard 4000K COB-PCB replacement kit | 5747405811 |
| Bysted Garden Bollard 3000K COB-PCB replacement kit | 5747405824 |
| Bysted Garden Bollard 2700K COB-PCB replacement kit | 5747405837 |

Data specifications

| | | | |
|-------------------------------------|---------------|----------------|------|
| Colour | Corten colour | Length | 132 |
| Width | 95 | Height | 534 |
| IP class | - | IK class | - |
| Class | III | Net Weight | 11.6 |
| Wind Load (m2) | - | Standby (W) | - |
| Power Factor (P = 100 % / P = 50 %) | - | Inrush Current | - |

Bysted Garden Bollard

| | |
|--------------------|----------------------|
| Light source | LED 2700K 14W |
| CRI | 90 |
| Lumen | 247 |
| Efficacy | 18 |
| Min. Dim Level (%) | - |
| BUG Rating | B0 U1 G0 |
| Driver life | >50.000 |

| | |
|------------------|-------------------|
| Kelvin | 2700 |
| SDCM | 3 |
| Watt | 14 |
| Light control | - |
| Surge Protection | - |
| L80B50 (hours) | >50.000 |