

# BYSTED GARDEN BOLLARD

Bysted Garden Bollard - 5747405688

The bollard has a round symmetrical design with four downward-angled rings reflecting the light in a soft downward direction. The rings provide a soft glow while the white underside ensures optimal light reflection and produces a characteristic symmetric light pattern on the ground.



## Peter Bysted

Peter Bysted graduated as an architect and industrial designer from The Aarhus School of Architecture in 1978. Three years prior, in a contest arranged by Louis Poulsen concerning the illumination of quarters worthy of preservation, he won second prize with 'Bysted', a bollard made from cor-ten steel, suggesting his interest in lighting design even then.



## Product info

### Environmental Product Specification

This product is compliant with the requirements contained in the European Directives, RoHS Directive 2011/65 and 2015/863. This product is designed so that 100% of the product can be disassembled and reused.

### Information

This product is fitted with an integrated energy-saving LED light source. Should you wish to replace it, please contact Louis Poulsen so we can help you purchase the correct LED Replacement Kit. Please note that LED-replacement should always be carried out by an authorised electrician.

### Mounting

Bysted Garden is fitted with external adaptor, a maximum of 4 Bysted Garden bollards (14 W) can be run by one adaptor. The adaptor and installation cables must be bought separately. Maximum distance to last bollard is 30 m. Stem: Ø95 mm. Spike mounting: Put the bollard with the spike into the ground and let the cable run over the ground. The bollard is connected to the adaptor with the enclosed 5 m. cable and T-connector. Plug-and-Play. Anchor mounting: Anchor unit to be fixed in concrete. Use installation cables for in-ground installation for legal fixed installation. Looping is approved. Requires installation by certified electrician. Baseplate mounting: Mounting on a surface. Use installation cables for in-ground installation for legal fixed installation. Looping is approved. Requires installation by certified electrician.

### Finish

Aluminium, Corten, or Black coloured. Textured surface, powder coated.

### Materials

Top: Cast aluminium. <br> Diffuser: Polycarbonate<br> Reflector part: Cast aluminium. <br> Post: Extruded aluminium. <br> Base plate, spike and anchor: Cast aluminium.

### Sizes and weights

width x Height x Length (mm) | 95 x 534 x 132 Max 11.6 kg | 95 x 254 x 132 Max 8.9 kg

### Class

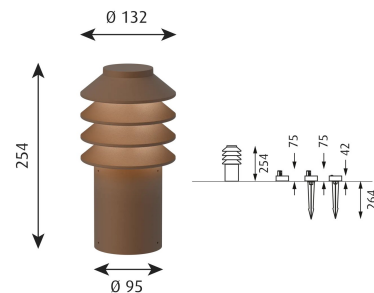
Ingress protection w/spike: IP 65 Ingress protection w/anchor: IP 65 (Head), IP44 (Anchor) Ingress protection w/base plate: IP 65 (Head), IP44 (Baseplate) Electric shock protection III IK06

### Light source

LED 3000K 14W  
Lumen: 259

### Information

This product is fitted with an integrated energy-saving LED light source. Should you wish to replace it, please contact Louis Poulsen so we can help you purchase the correct LED Replacement Kit. Please note that LED-replacement should always be carried out by an authorised electrician.



## Related products



Skot Wall Lamp



Albertslund Outdoor Wall Lamp



Nyhavn Outdoor Wall Lamp



AJ 50 Outdoor Wall Lamp



PH 4½-3 Outdoor Wall Lamp



Skot Bollard

**Bysted Garden Bollard**



Toldbod 155 Outdoor Wall Lamp



Toldbod 155 Bollard



Bysted Bollard



Flindt Bollard



AJ Eklipta Outdoor Wall Lamp



Flindt Wall Lamp



Flindt Garden Bollard



PH 3-2½ Bollard



PH 3-2½ Outdoor Wall Lamp



AJ Garden Bollard



Toldbod 220 Outdoor Wall Lamp



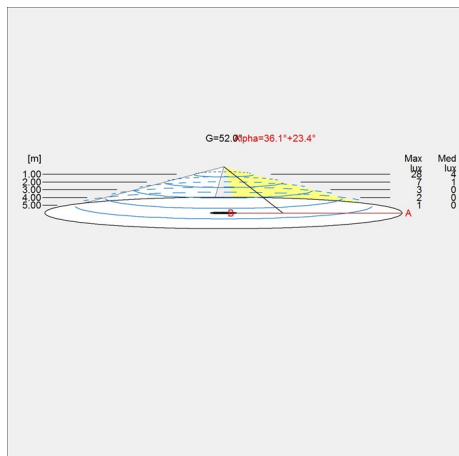
Toldbod 290 Post



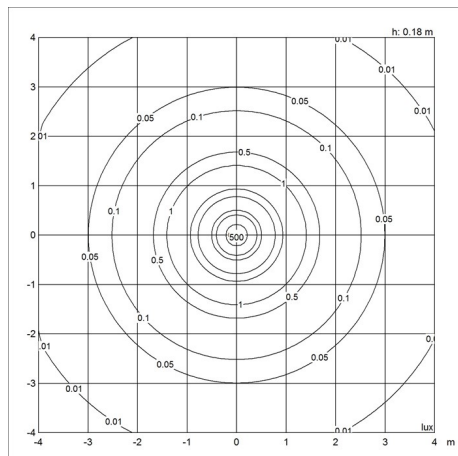
Toldbod 290 Outdoor Wall Lamp

# Light distribution diagrams

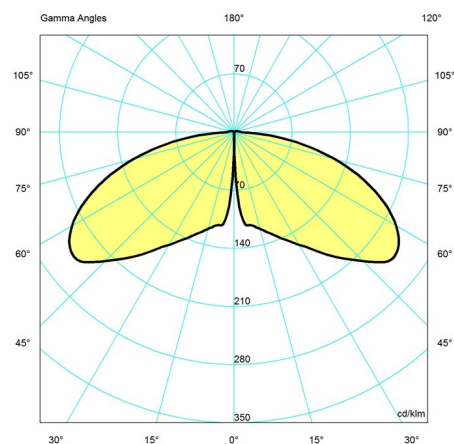
## Cartesian



## Isolux



## Polar



## Spare parts & accessories

Product	Variant number
T-Connector for spike mounted garden bollards	5747405303
Garden Bollard 3 x 1 adapterbox	5747407039
Bysted Garden Bollard 4000K COB-PCB replacement kit	5747405811
Bysted Garden Bollard 3000K COB-PCB replacement kit	5747405824
Bysted Garden Bollard 2700K COB-PCB replacement kit	5747405837

## Data specifications

Colour	Corten colour	Length	132
Width	95	Height	254
IP class	-	IK class	-
Class	III	Net Weight	8.9
Wind Load (m2)	-	Standby (W)	-
Power Factor (P = 100 % / P = 50 %)	-	Inrush Current	-

**Bysted Garden Bollard**

Light source	<b>LED 3000K 14W</b>
CRI	<b>90</b>
Lumen	<b>259</b>
Efficacy	<b>18</b>
Min. Dim Level (%)	-
BUG Rating	<b>B0 U1 G0</b>
Driver life	<b>&gt;50.000</b>

Kelvin	<b>3000</b>
SDCM	<b>3</b>
Watt	<b>14</b>
Light control	-
Surge Protection	-
L80B50 (hours)	<b>&gt;50.000</b>