

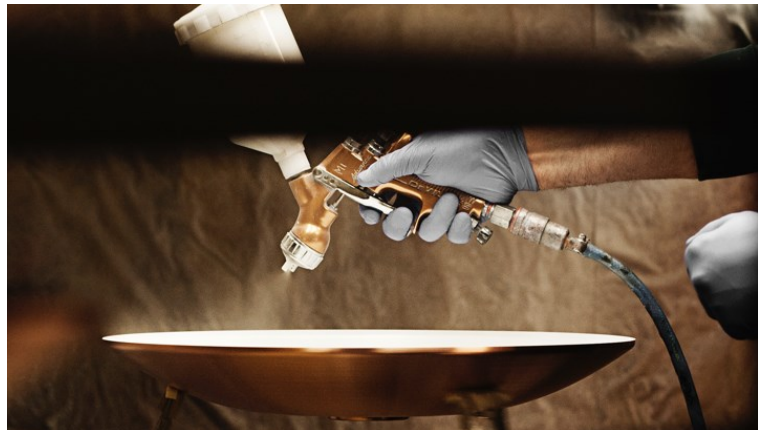
# AJ OXFORD TABLE LAMP

This table lamp emits a pleasant downward directed light, which harmoniously illuminates the surface below it through the soft transparency of the three-layered mouth-blown opal glass. The variant without the top metal shade, the milky opal glass shade provides further glow to form an alluring halo around the fixture.



## Arne Jacobsen

Arne Jacobsen was born and raised in Copenhagen. In 1927, he graduated as an architect from the Royal Danish Academy of Fine Arts in Copenhagen. After graduating, he obtained his first job at the office of the City Architect of Copenhagen launching his own office only two years later.



## Product info

### Environmental Product Specification

This product is compliant with the requirements contained in the European Directives, RoHS Directive 2011/65 and 2015/863. This product is designed so that 100% of the product can be disassembled and reused.

### Information

Pin solution for 410 mm with metal shade and 280 mm variants available upon request.

### Mounting

2.2 m. Black textile cord. On/off switch on socket house with union nut in untreated brass.

### Finish

Black wet painted stem. Three-layered mouth-blown opal glass. Black wet painted or opal glass top shade.

### Materials

Shade: Mouth-blown three layered white opal glass. Stem and top shade: Steel. Mounting device for pin mounting: Aluminium. Union nut and finger screw in untreated brass with fine clockwise hairlines. Please note the untreated brass will patinate.

### Sizes and weights

width x Height x Length (mm) | 220 x 413 x 220 Max 2.6 kg | 220 x 284 x 220 Max 2.5 kg | 220 x 410 x 220 Max 1.9 kg

### Class

Ingress protection IP20. Electric shock protection II.

### Light source

1x20W E14



### Information

Pin solution for 410 mm with metal shade and 280 mm variants available upon request.

## Related products

PH 2/1 Table Lamp	AJ Floor Lamp	AJ Wall Lamp
VL 38 Floor Lamp	VL 38 Wall Lamp	Yuh Floor Lamp
AJ Mini Table Lamp	VL Studio Table/Floor Lamp	PH 2/1 Pale Rose Brass Table Lamp
PH 2/1 Portable Lamp	PH 2/1 Aged Brass Table Lamp	Tomoshi Portable Lamp
Panthella 160 Portable Lamp	VL 45 Radiohus Portable Lamp	Panthella 250 Portable Lamp
PH 2/2 Luna Aged Brass Opal Table Lamp	FJ Elements Table Lamp	FJ Elements Pendant
VL Ring Crown Table Lamp	Rumee 220 Portable Lamp	Panthella Portable Lamp The Originals
AJ Table Lamp	NJP Table Lamp	VL 38 Table Lamp
Yuh Table Lamp	Keglen Table Lamp	NJP Mini Table Lamp

## Product variants

Dimension	Colour	Mounting	Cable type	Light source	Shade
280mm	 Metal black/opal glass	Base	Black cord	1x20W E14	OPAL GLAS
410mm	 Opal	Pin ø10	With cord		W/SHADE

# Design

Arne Jacobsen

# Weight

Min: 1.9 kg Max: 2.6 kg

# Dimensions

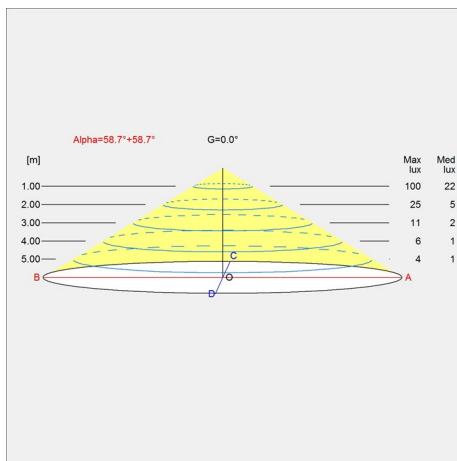
280mm, 410mm

# Finish

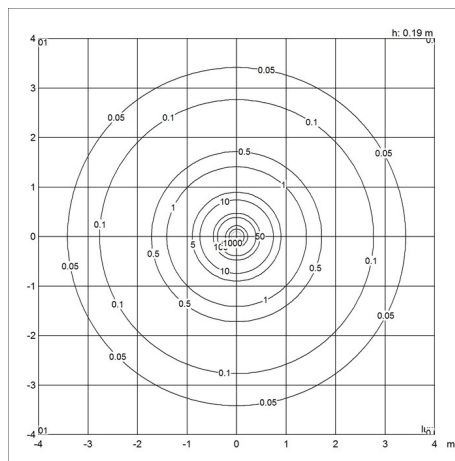
Metal black/opal glass, Opal

# Light distribution diagrams

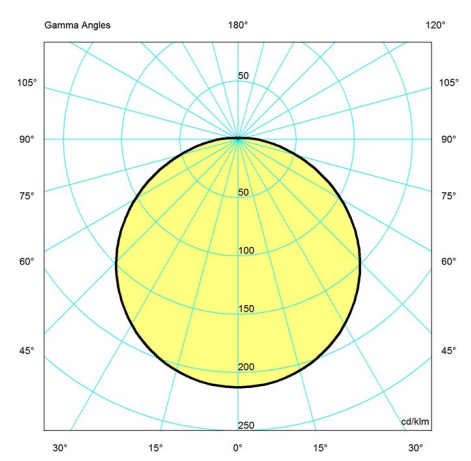
Cartesian



Isolux



Polar



# Spare parts & accessories

## AJ Oxford Table Lamp

Product	Variant number
AJ Eklipta Ø220 glass	5743590005
AJ Oxford finger screw	5744165552
AJ Oxford brass union nut	5744165565
AJ Oxford silicone gasket Black	5744165578